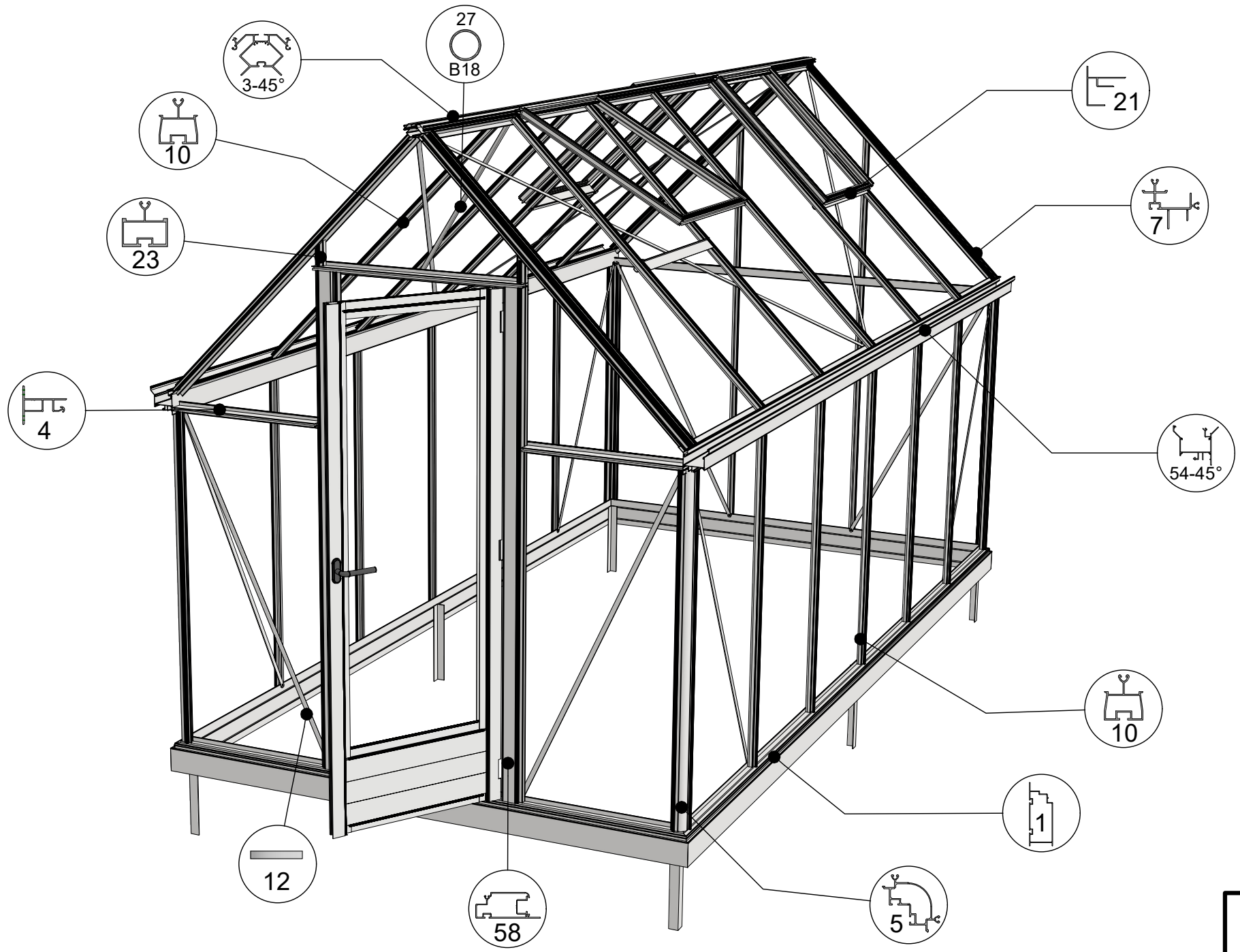


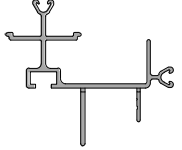

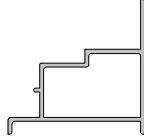

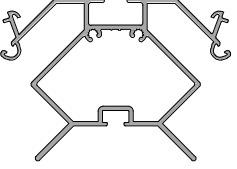
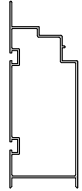

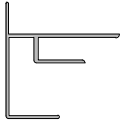
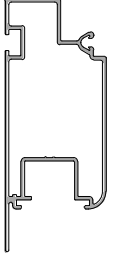

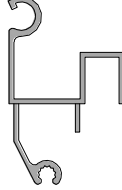
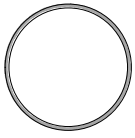
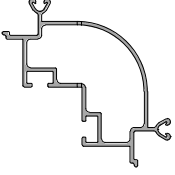
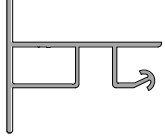
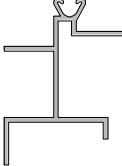
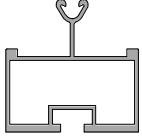
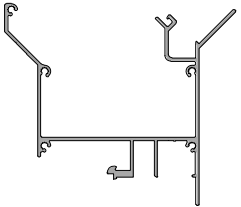

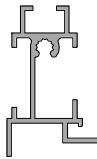
Rustiq 2,36.



15-11-2023



Profile list

-	NR	Profile NR	-	NR	Profile NR	-	NR	Profile NR	-	NR	Profile NR
	7	7151		17	L40/40/2		1A	17552		9	L15/15/2
	3-45°	15732		1	17538		12	7070		21	29577
	58	12960		27	B 18		18	17542		40	B50
	5	17548		4	17549		19	17543		23	17703
	54-45°	17540		10	17541		20T	28513			

- Attention! Check inside the foundation for more profiles.
- Please fasten screws and nuts hand-tight.

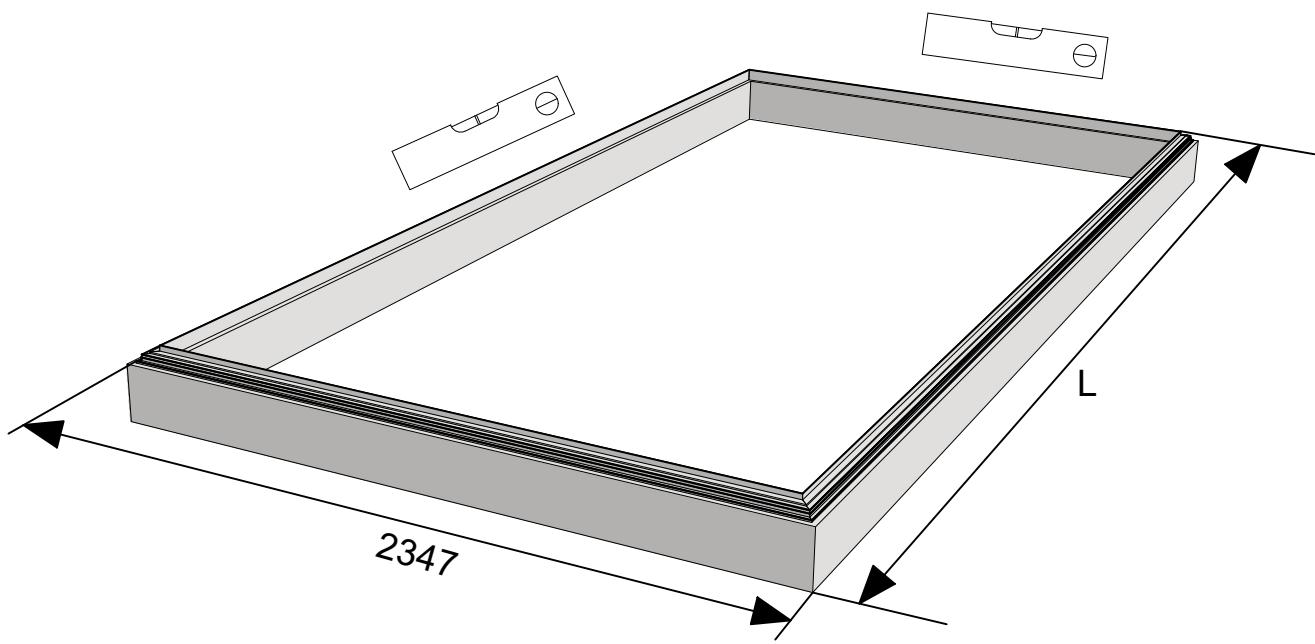
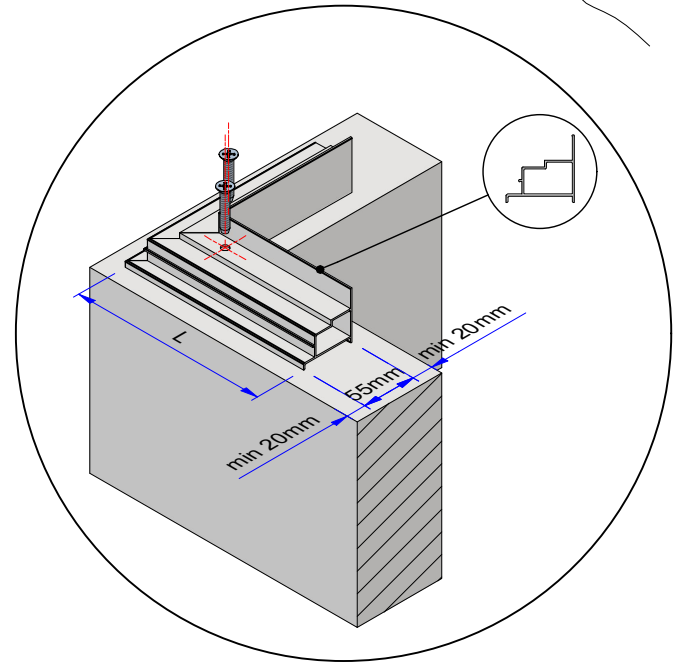
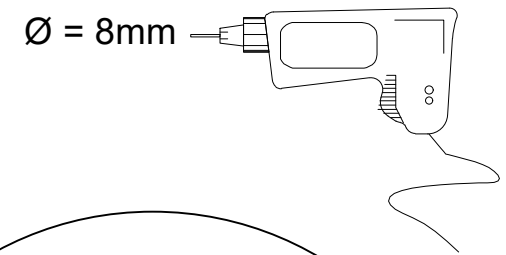
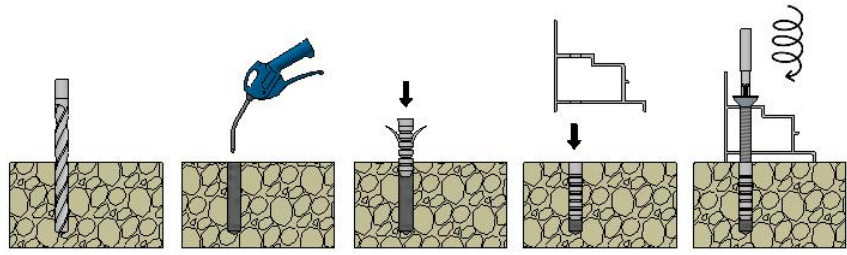
- Achtung! Prüfen sie das fundament für weitere profile.
- Schraube und Mutter bitte handfest festziehen.


- Opgelet! kijk in de fundering voor andere profielen.
- Bout en moer a.u.b. handvast aandraaien.

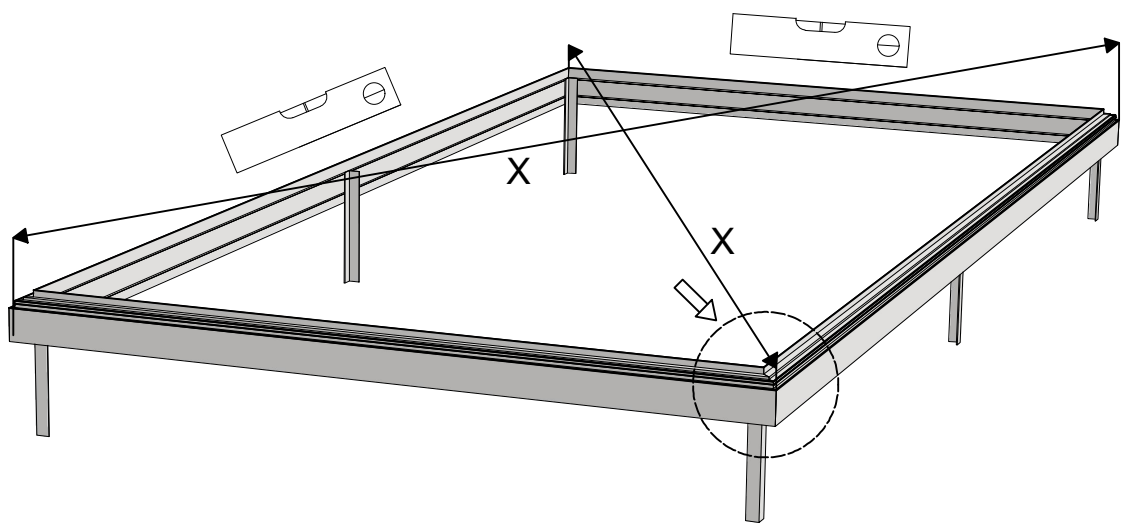
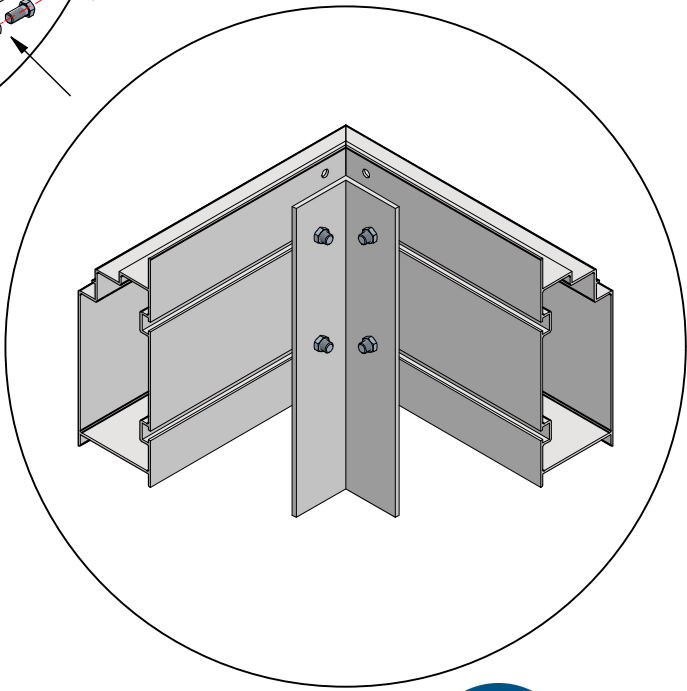
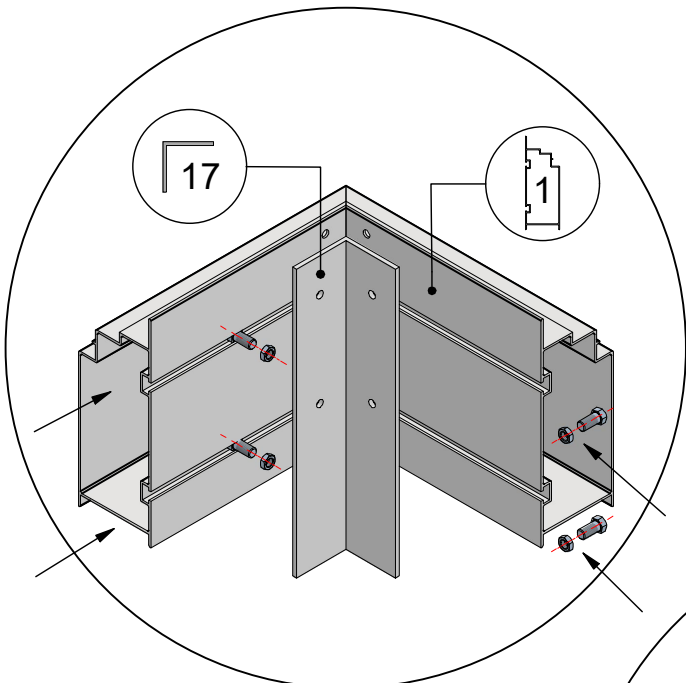
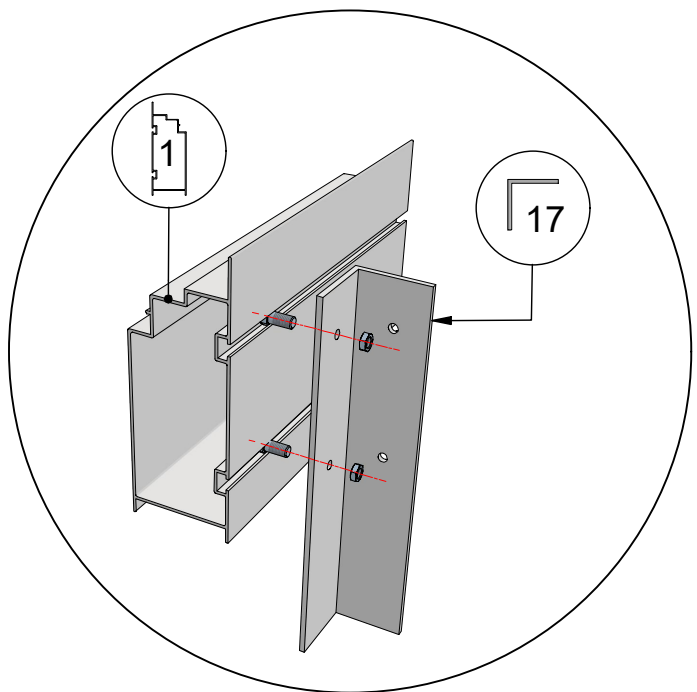
- Attention! Regarde à l'intérieur du fondation pour plussier profils.
- Serrez les écrous et vis à la main s.v.p.

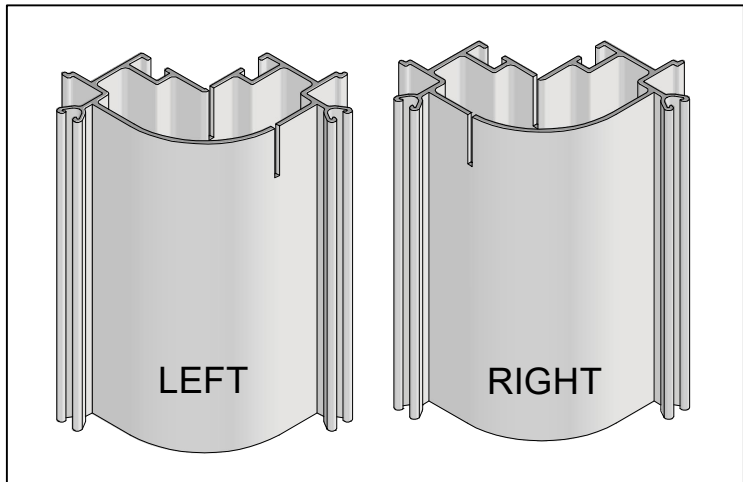
- Observera at en del profiler ligger i sockelprofilen!!
- Dra åt skruven och muttern handfast.

 = 8x40  = 6x120

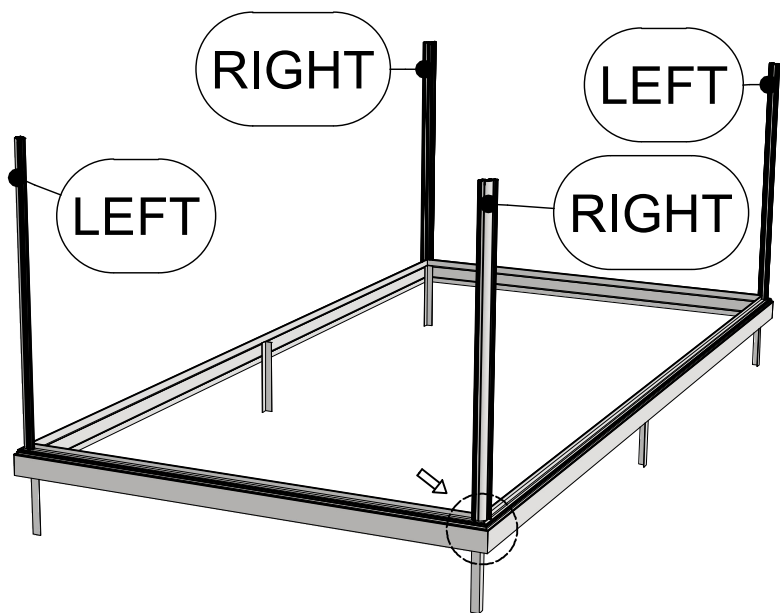
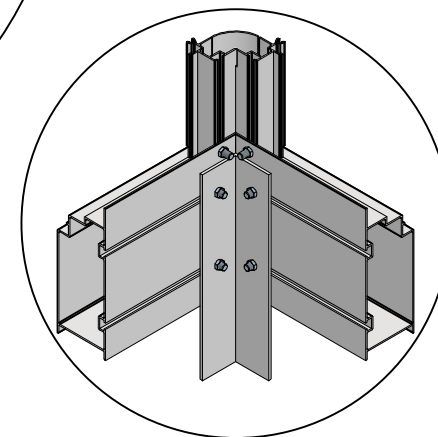
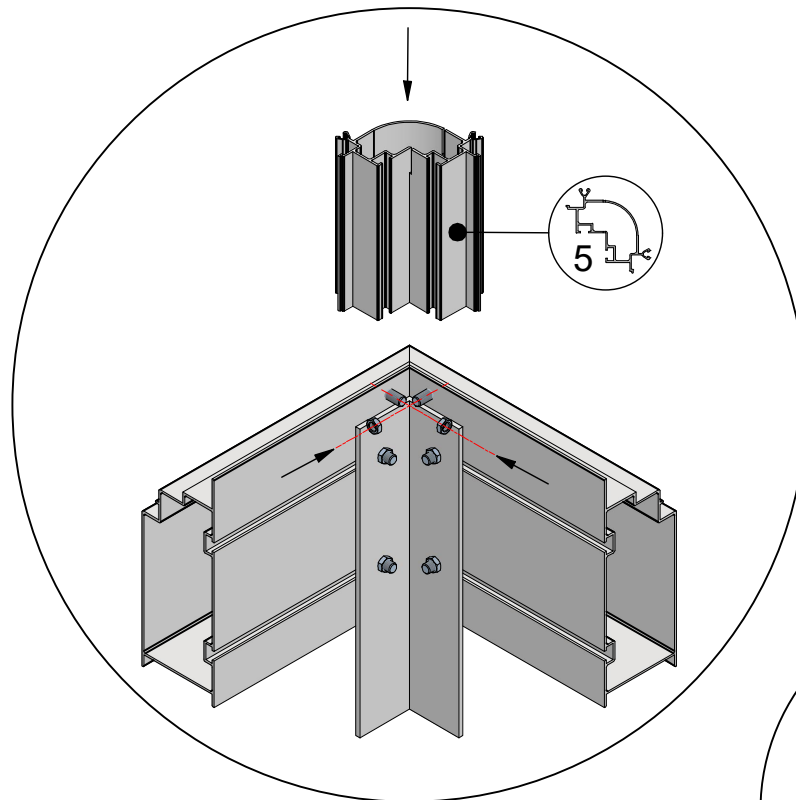



 = M6x12

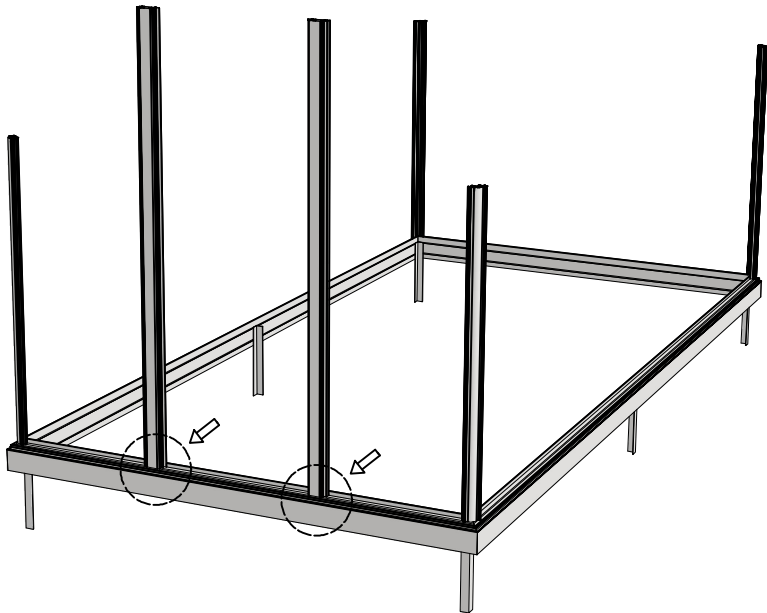
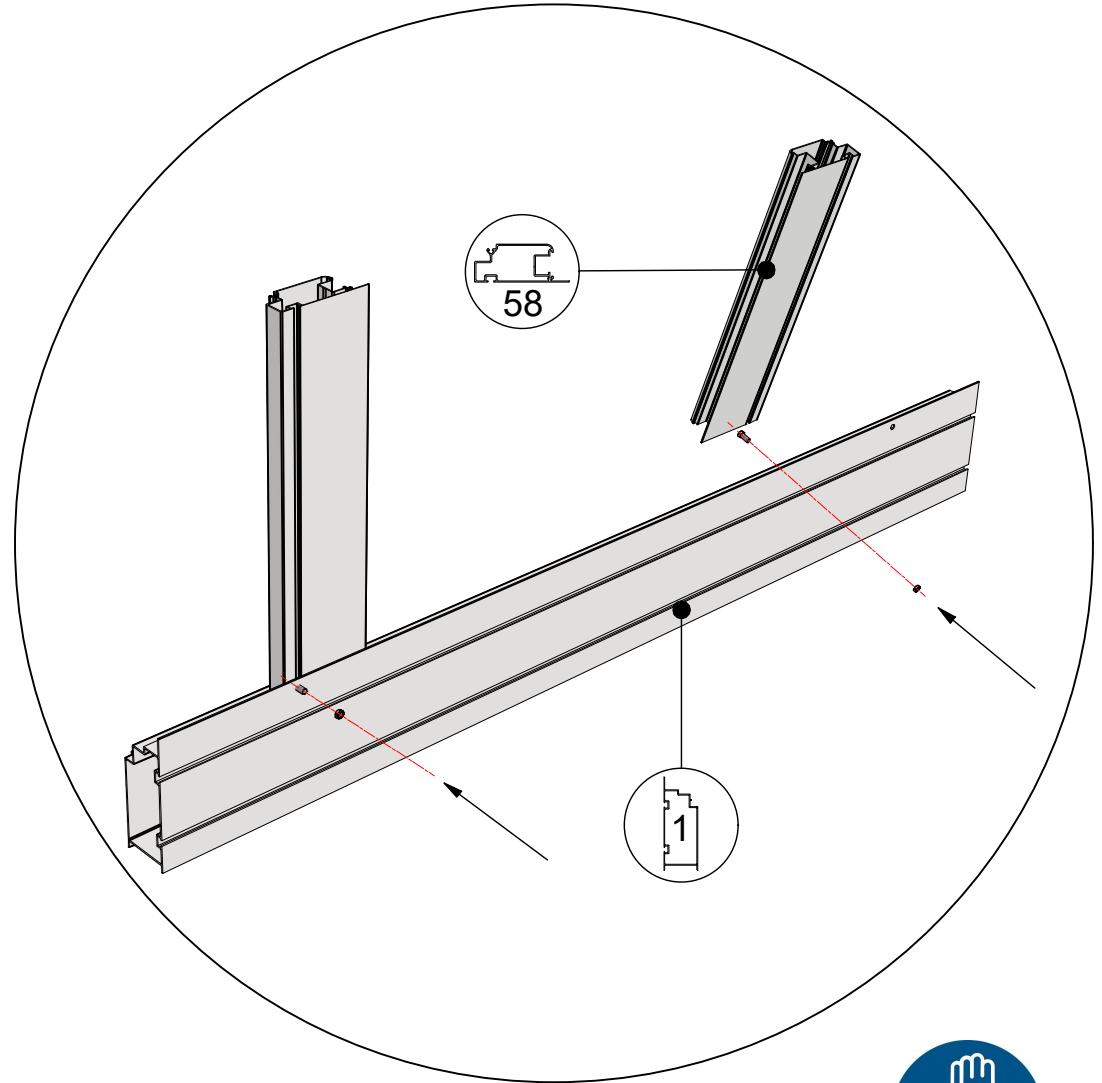
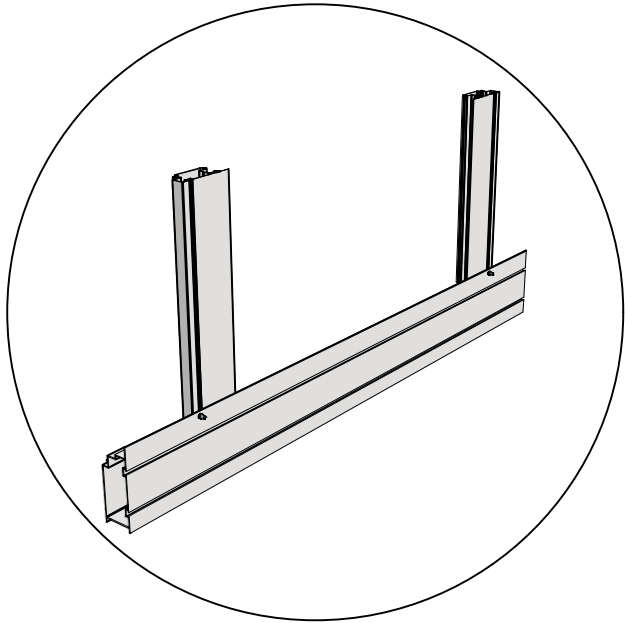




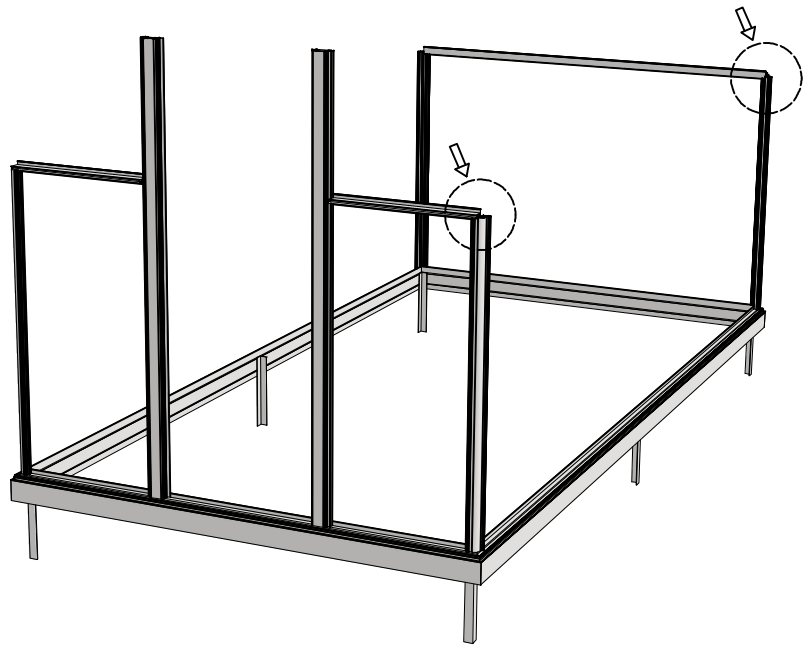
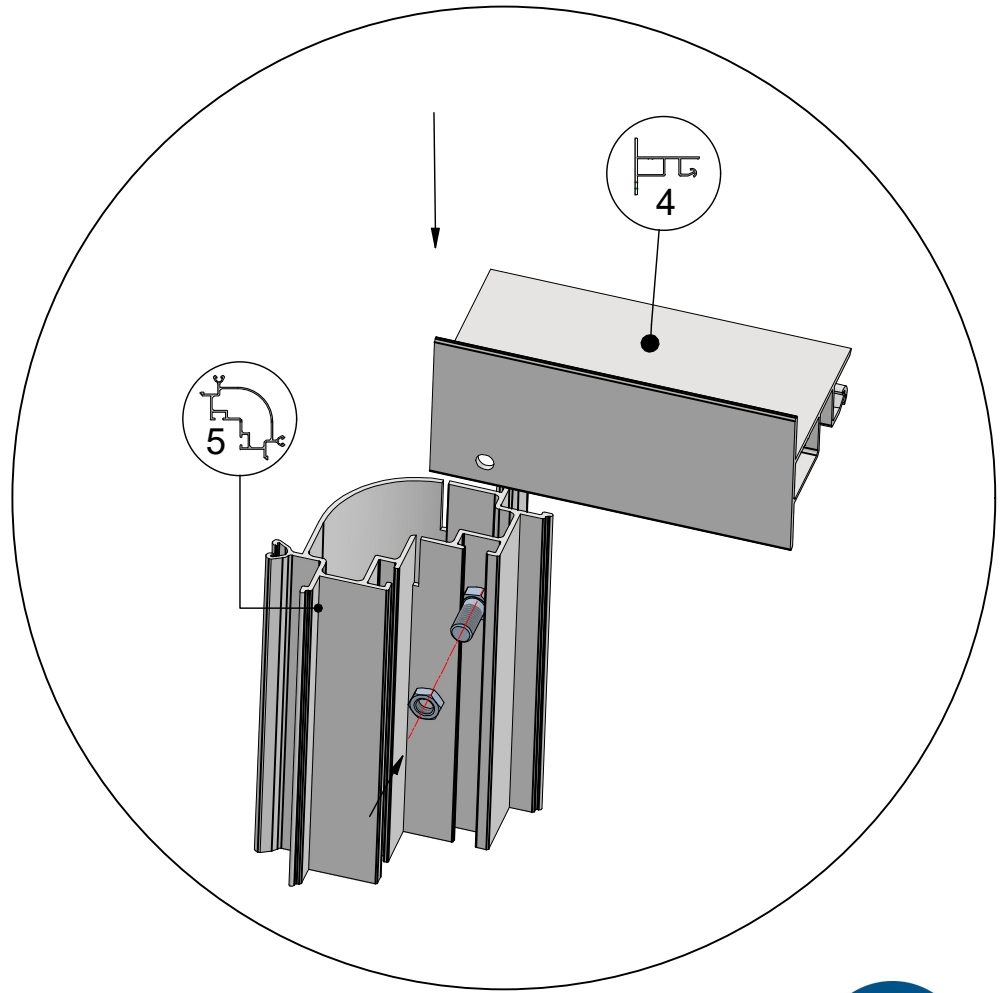
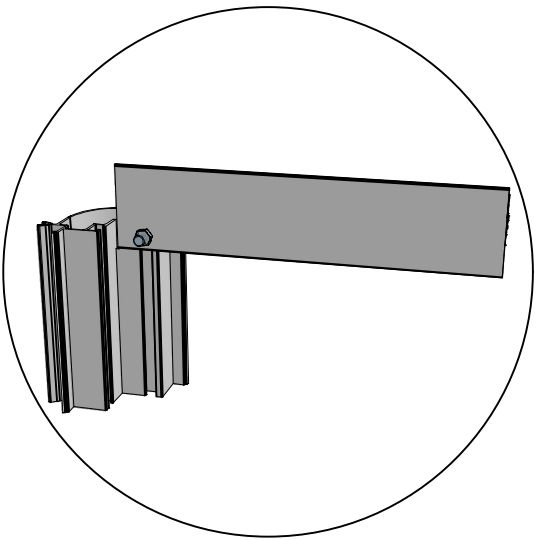
 = M6x12 (8x)




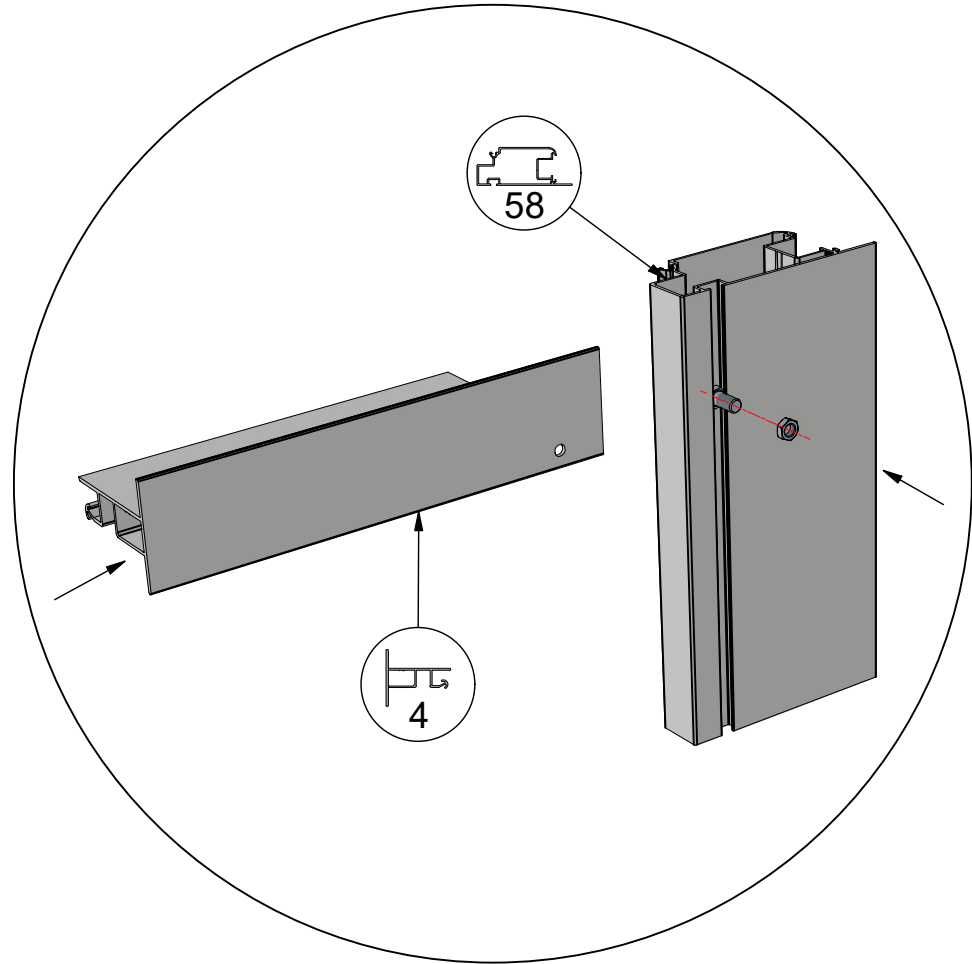
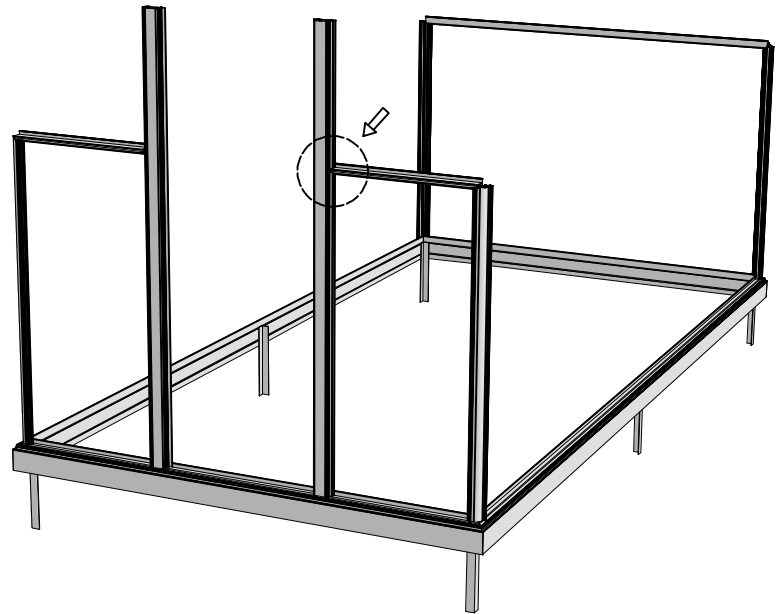
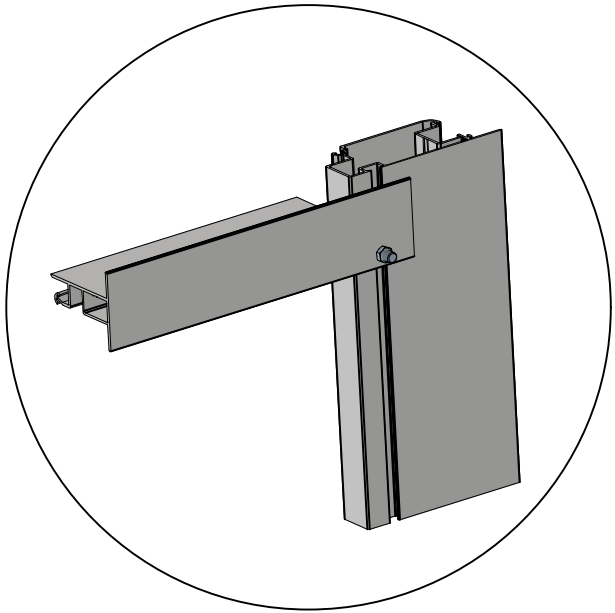
 = M6x12



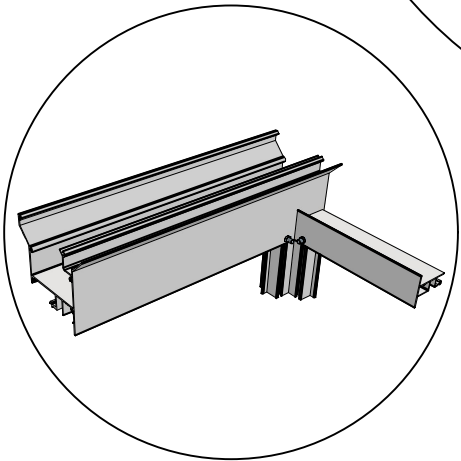
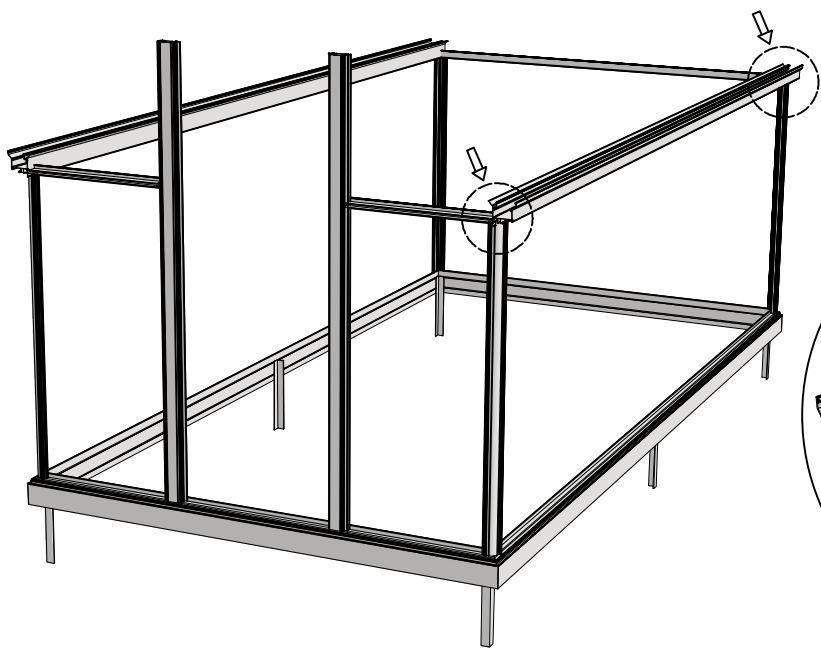
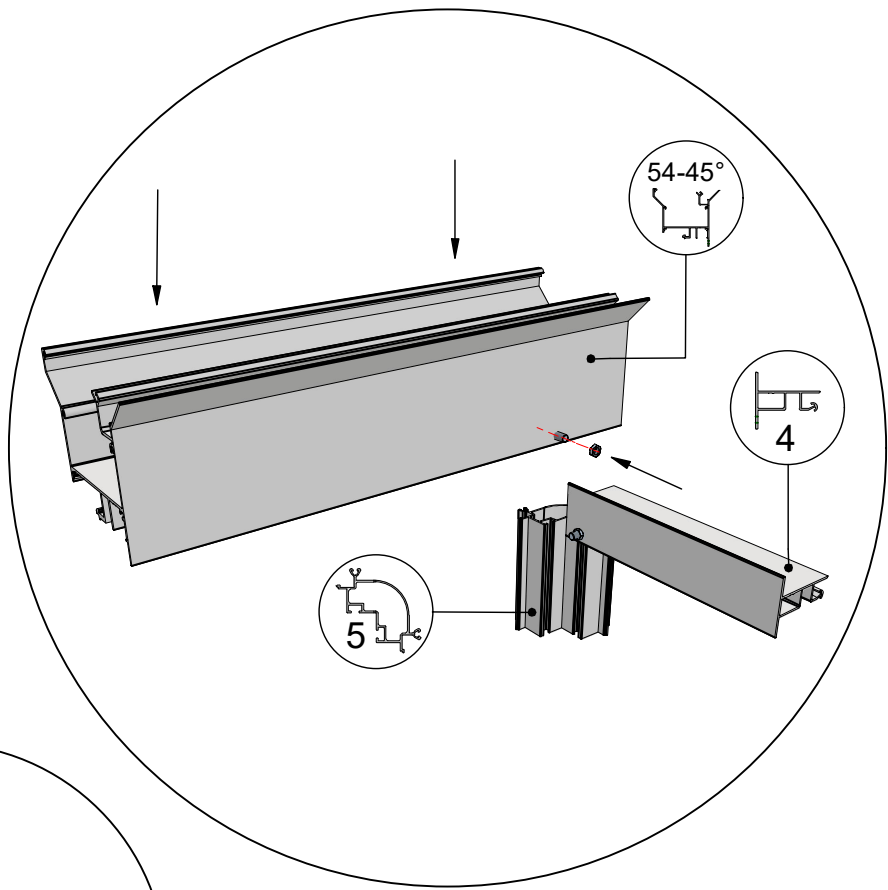
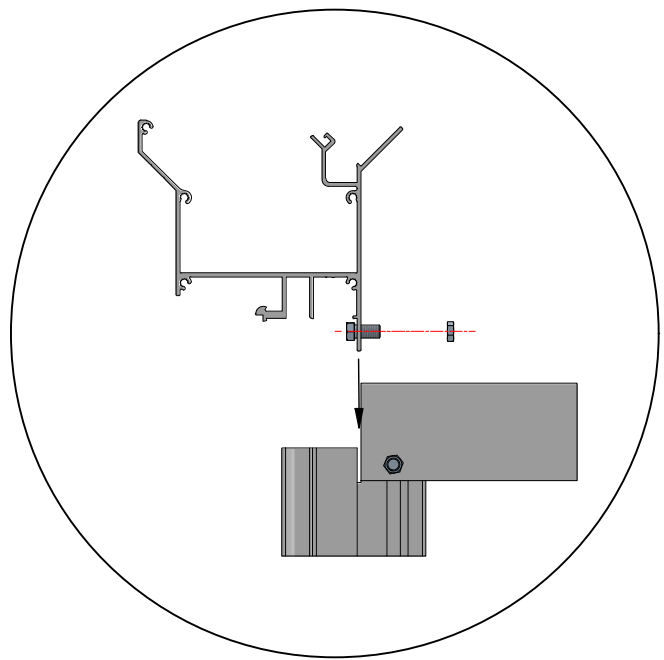
 = M6x12 (4x)

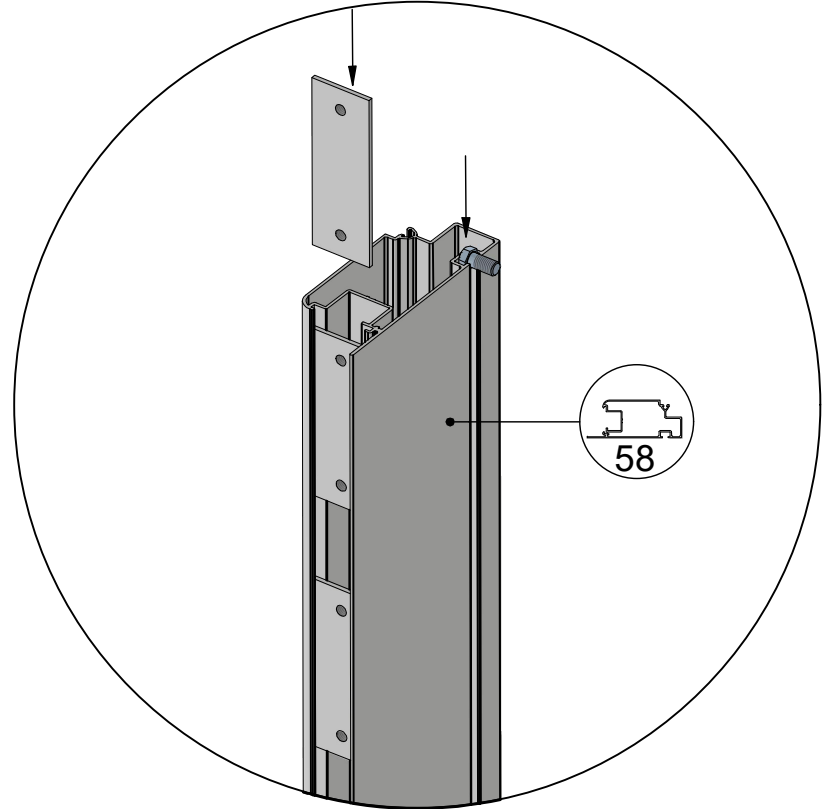
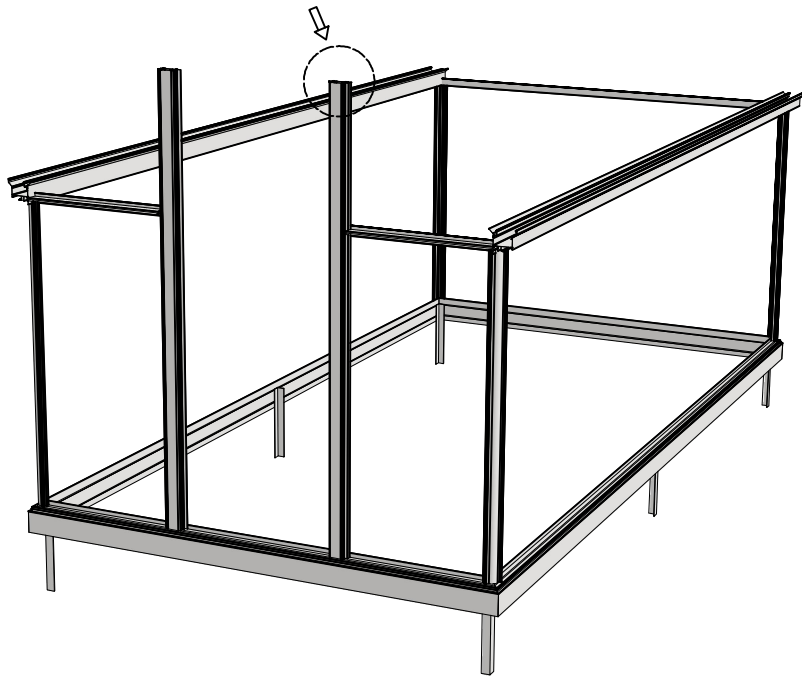
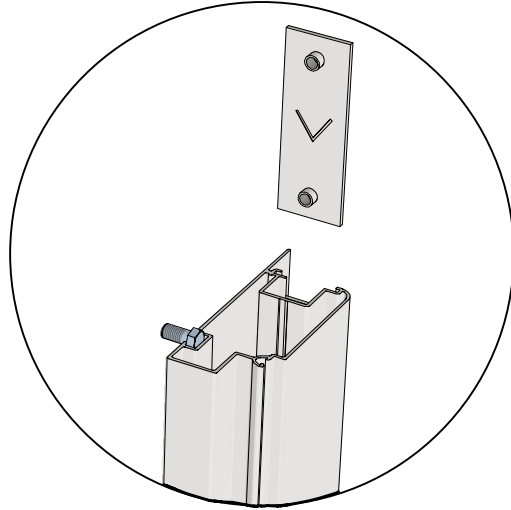


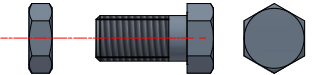
 = M6x12

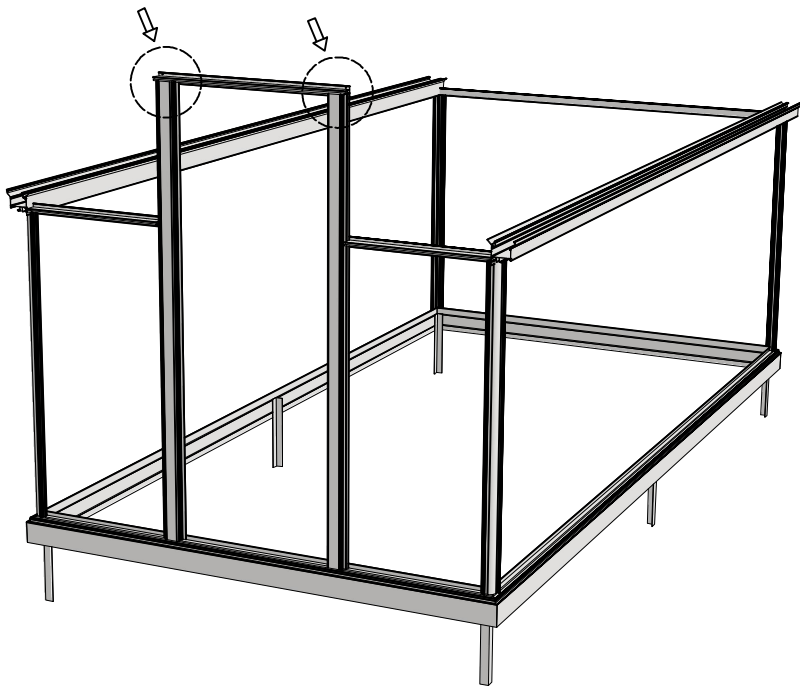
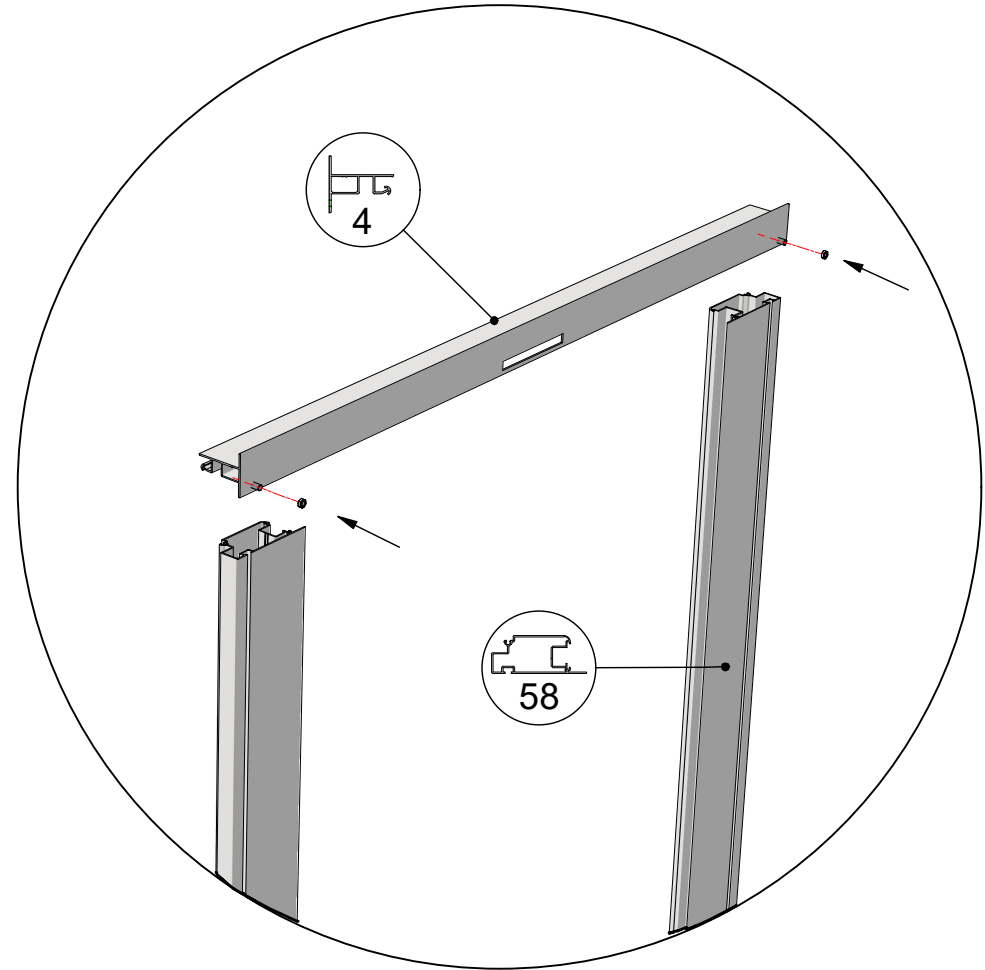
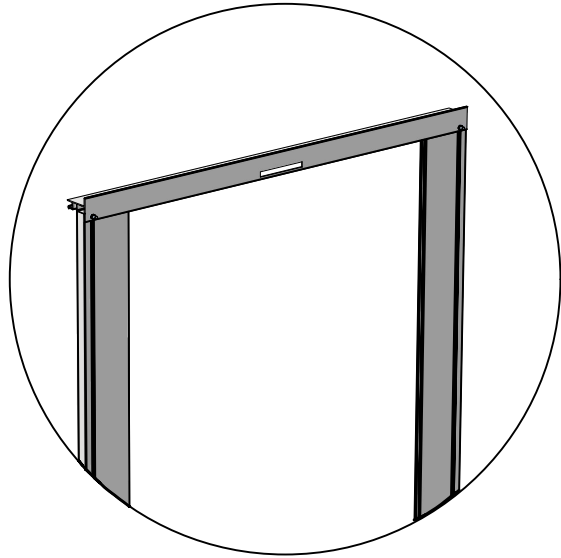


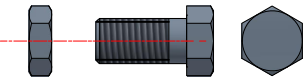
 = M6x12 (4x)

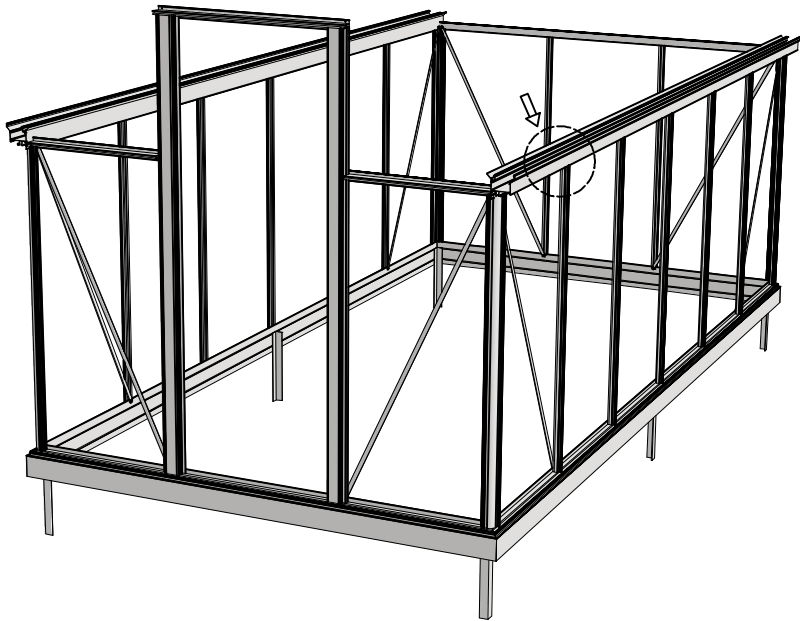
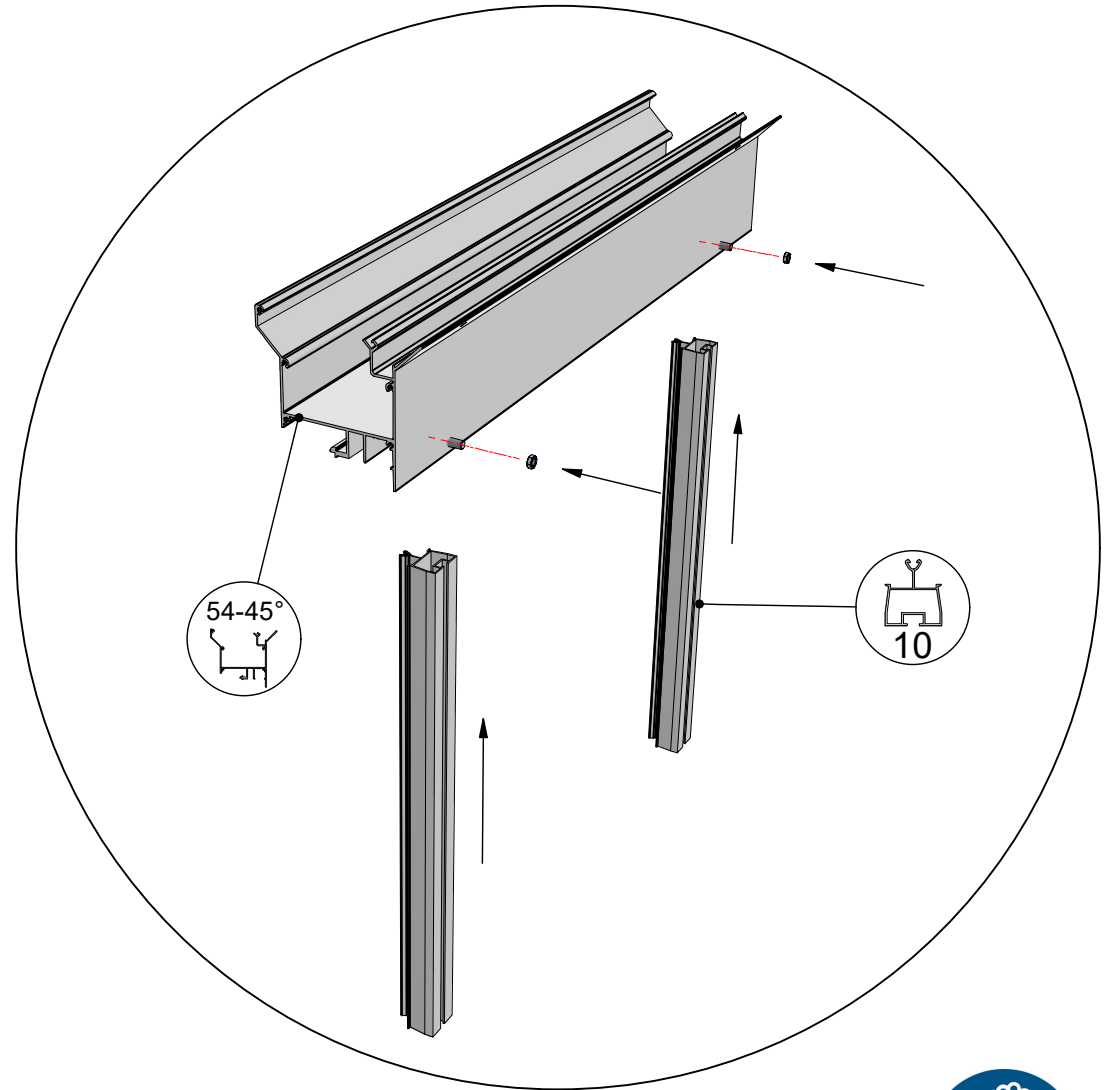
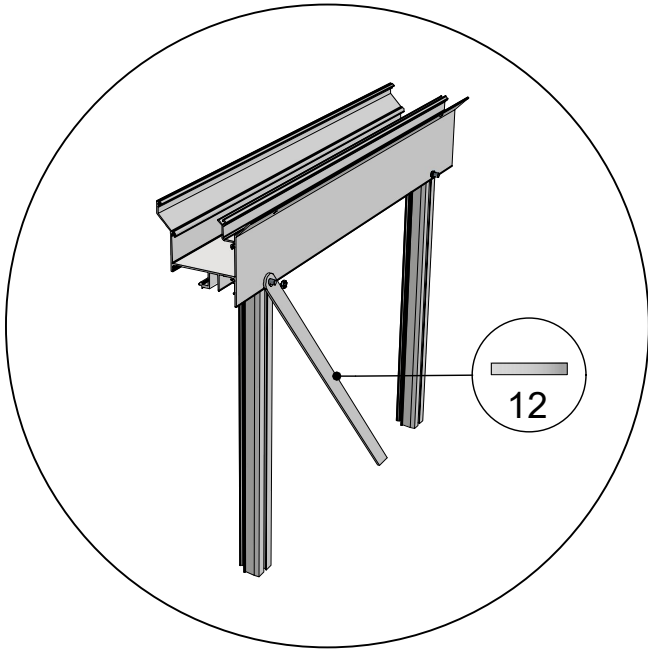





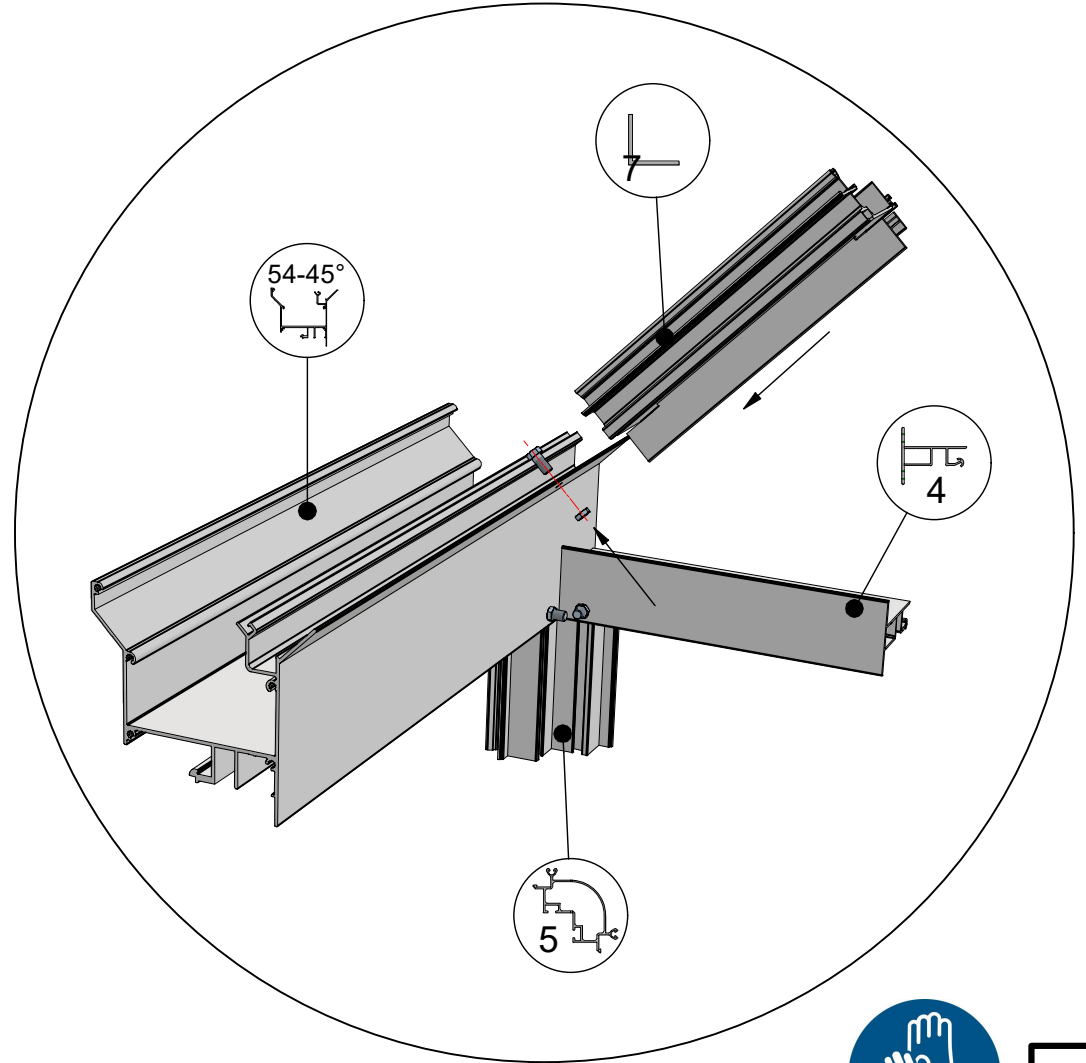
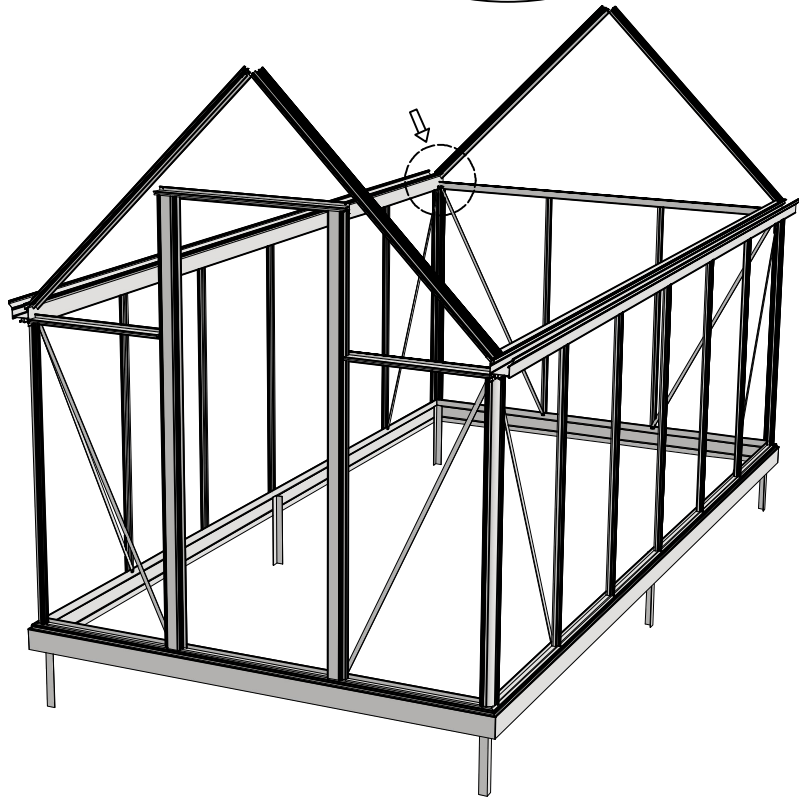
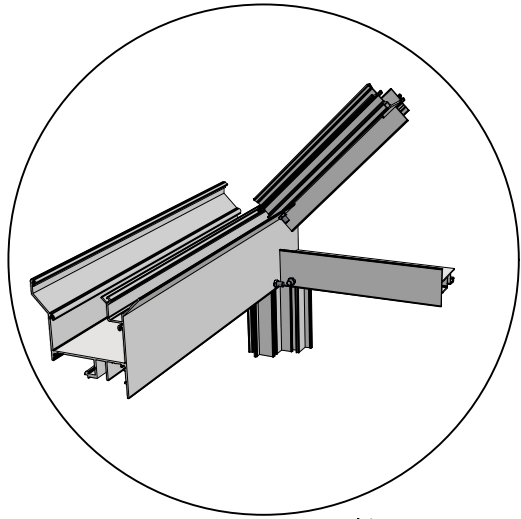
 = M6x12




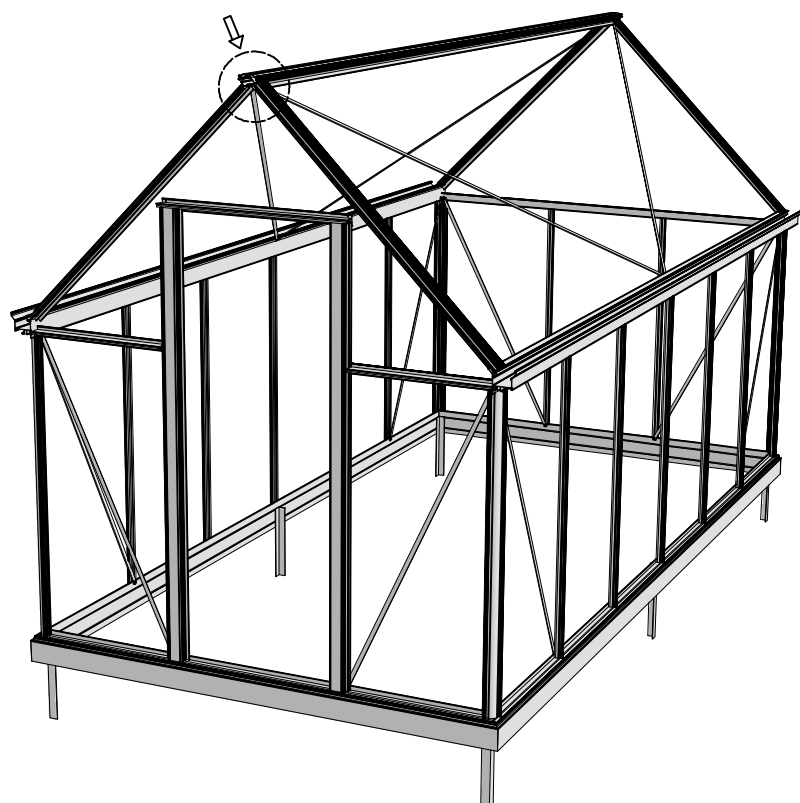
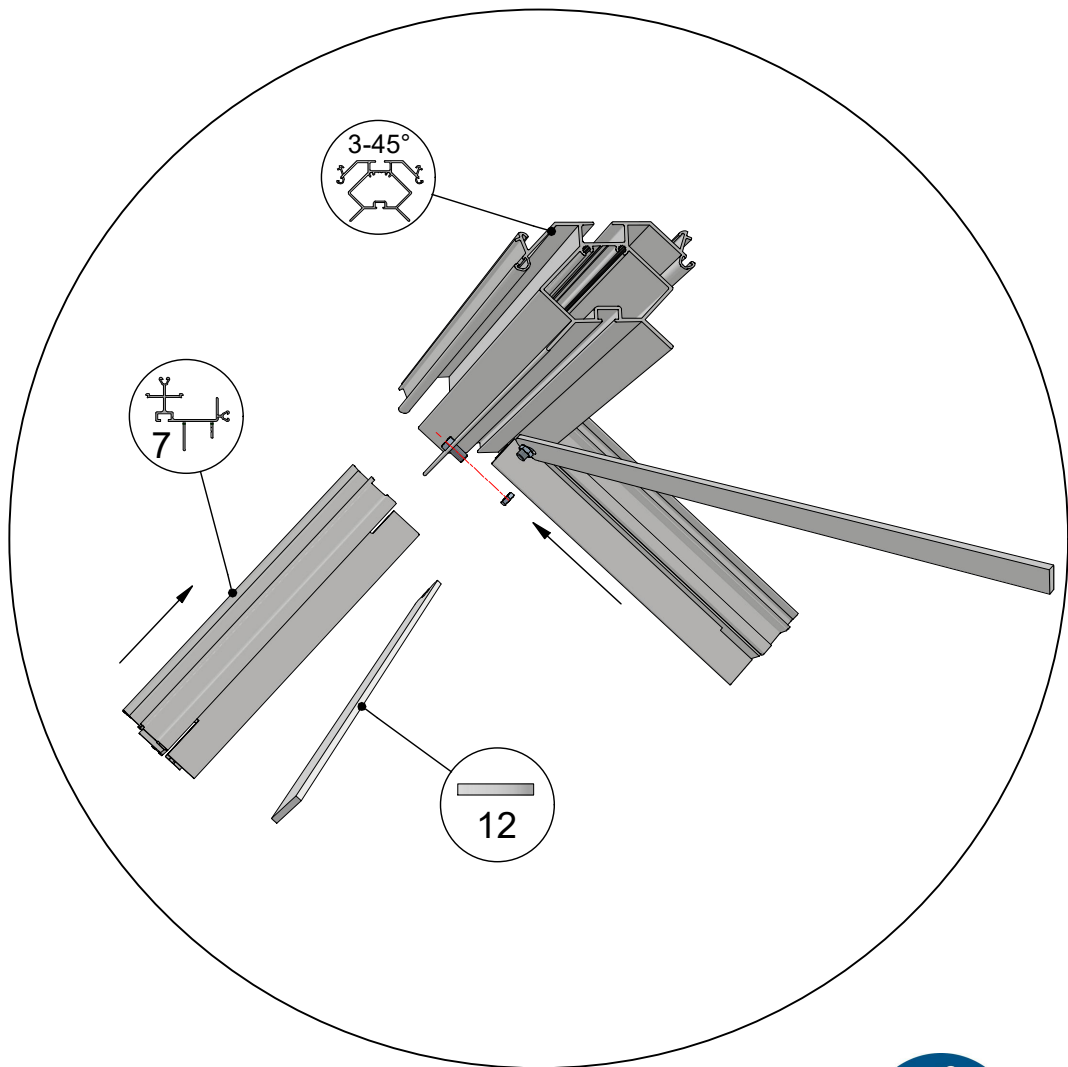
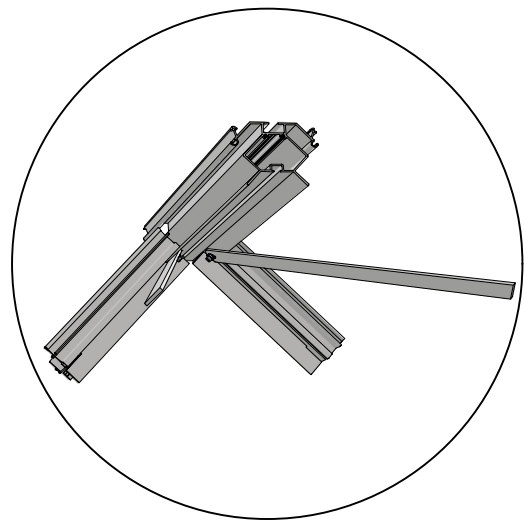
 = M6x12




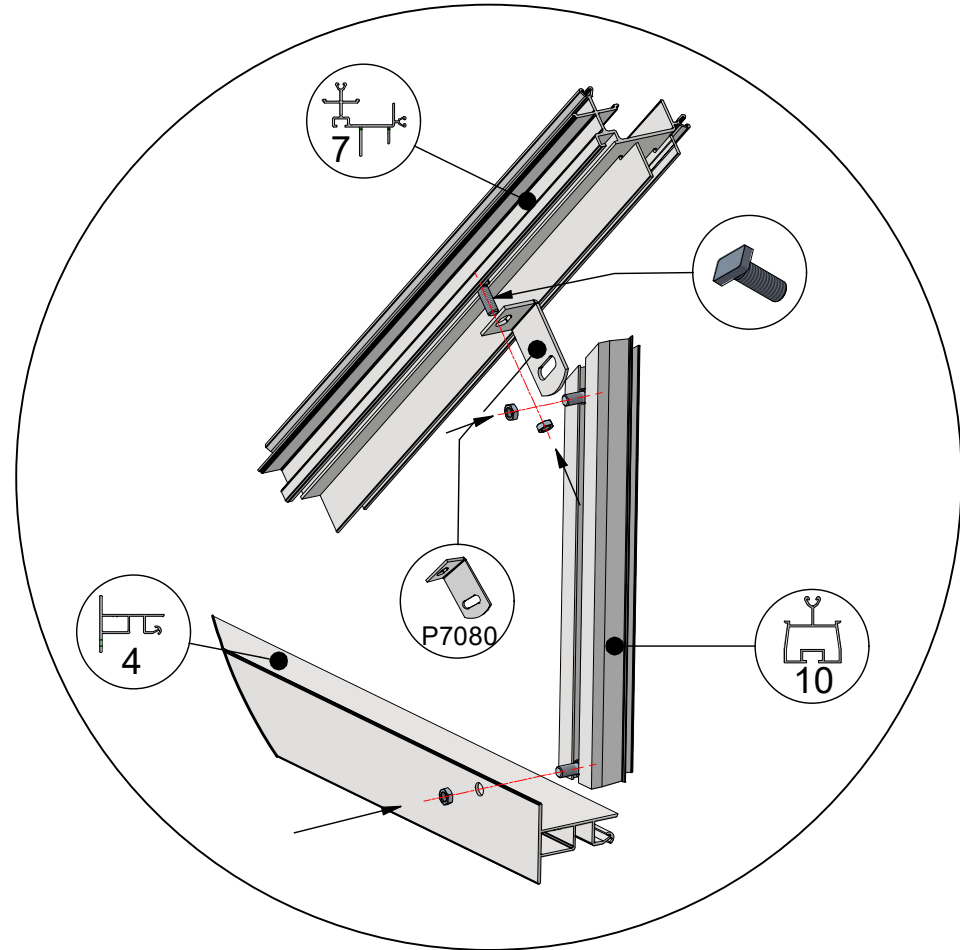
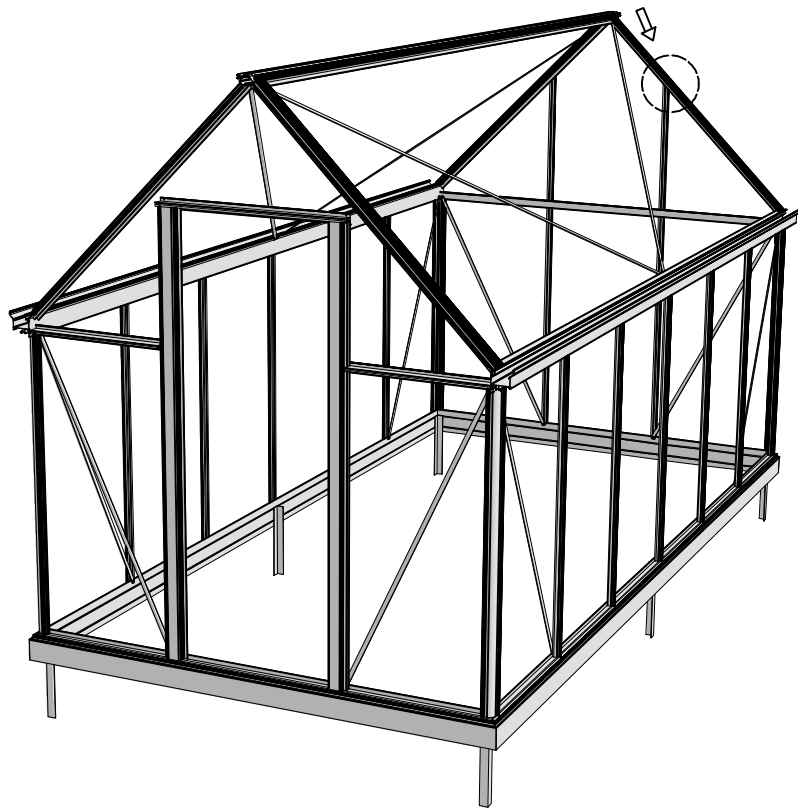
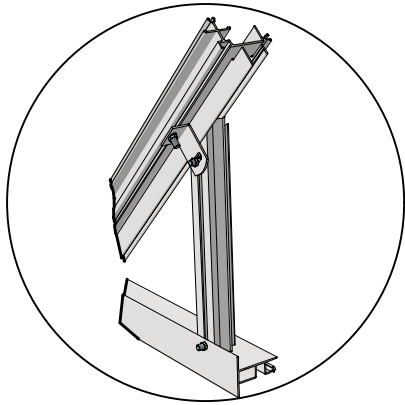
 = M6x12




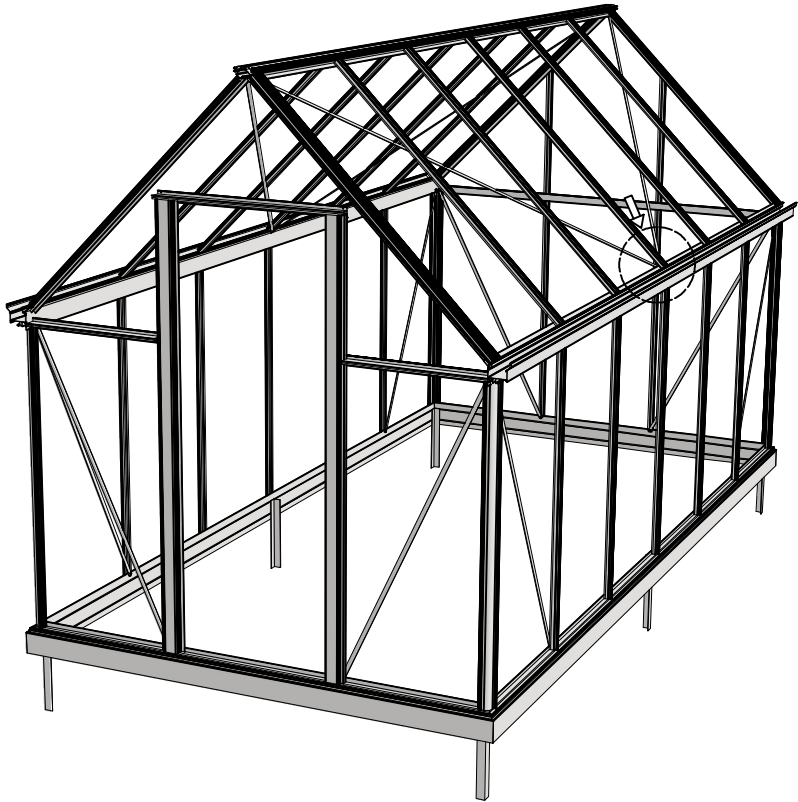
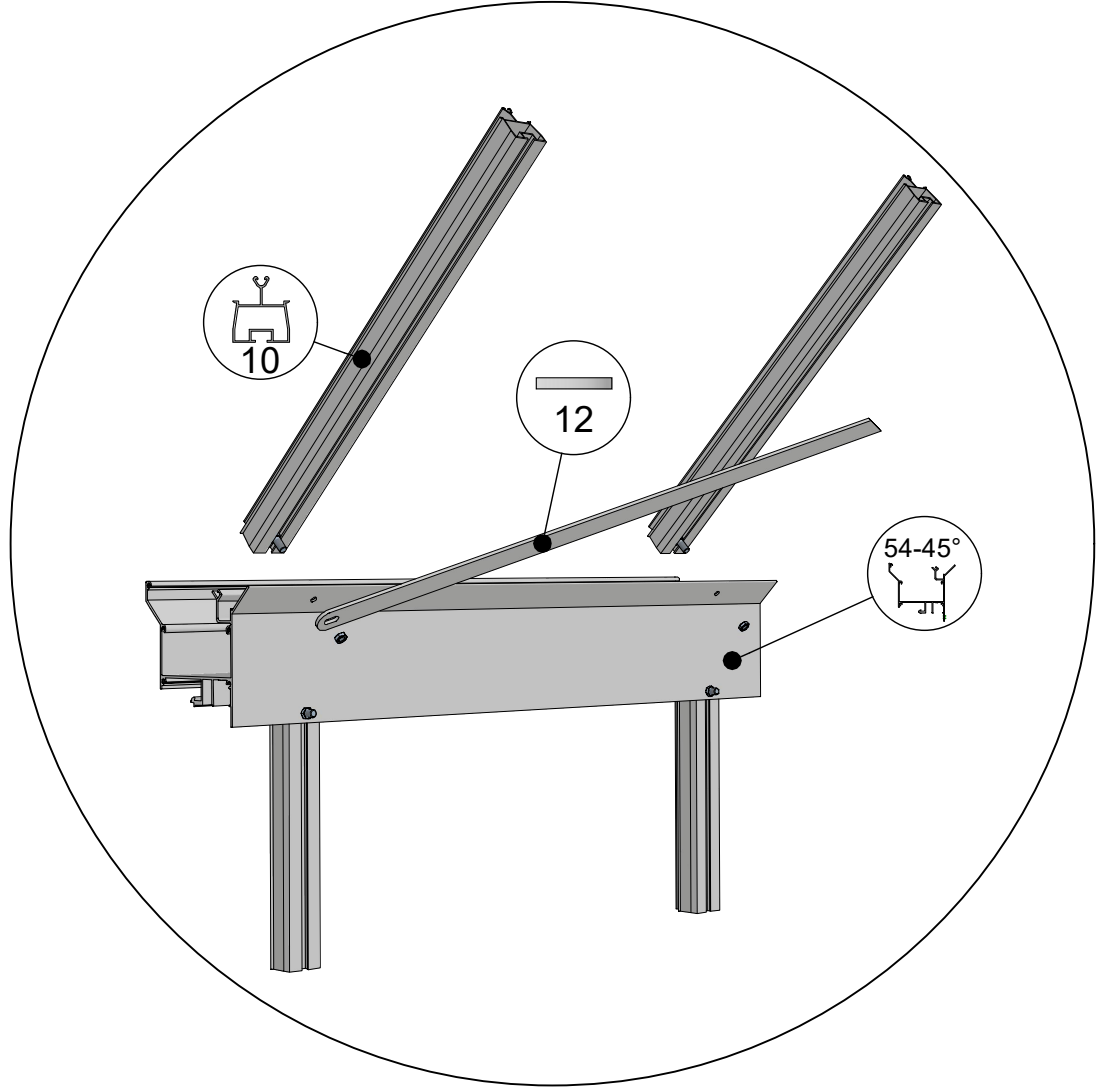
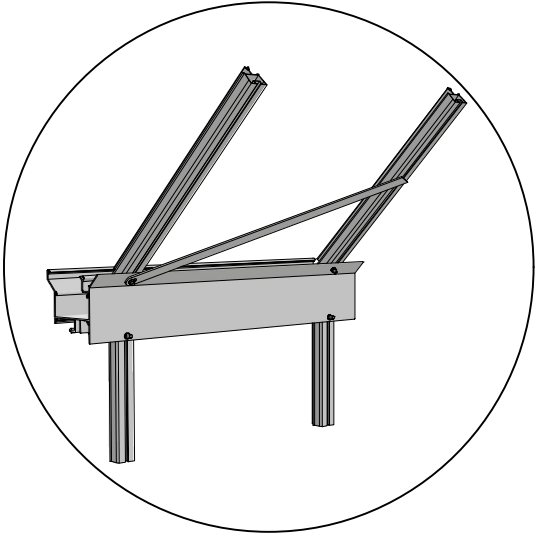
 = M6x12




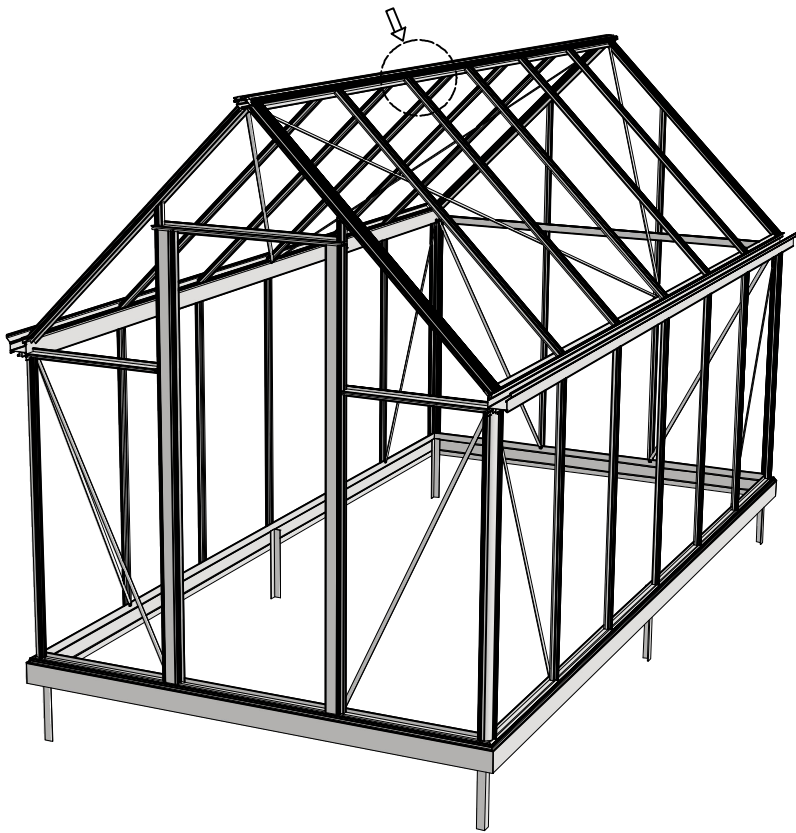
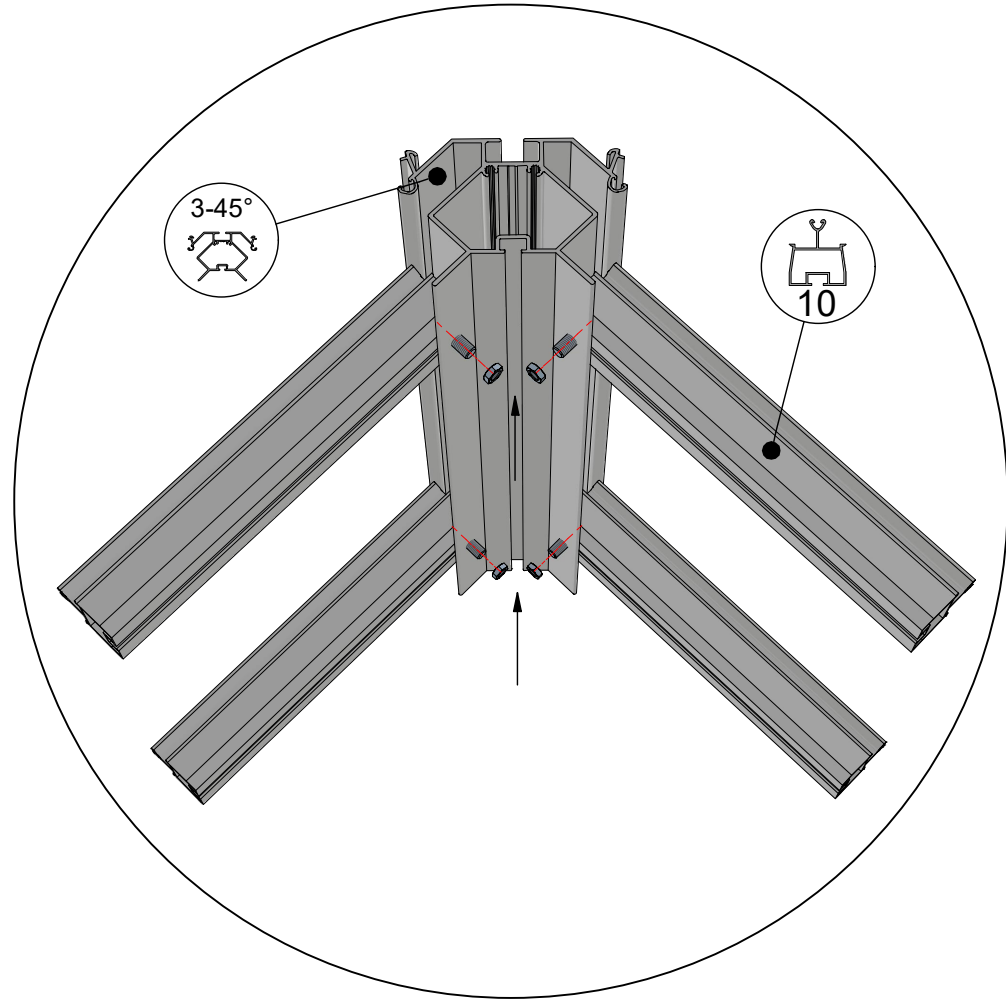
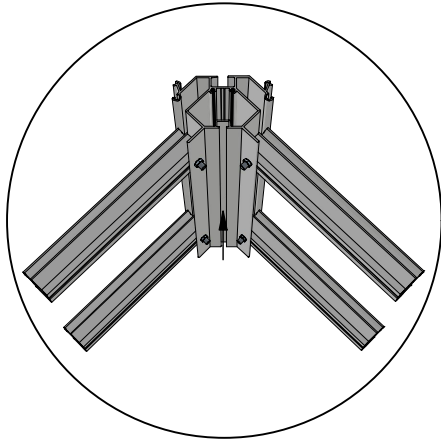
 = M6x12




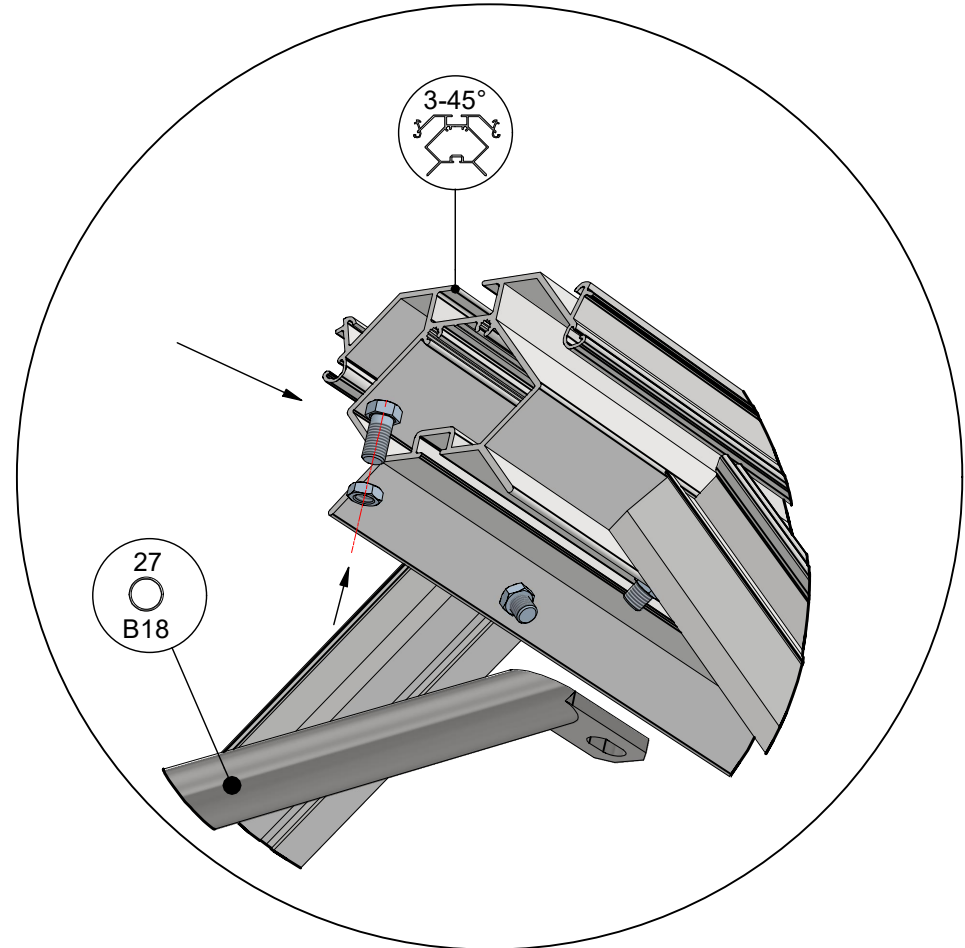
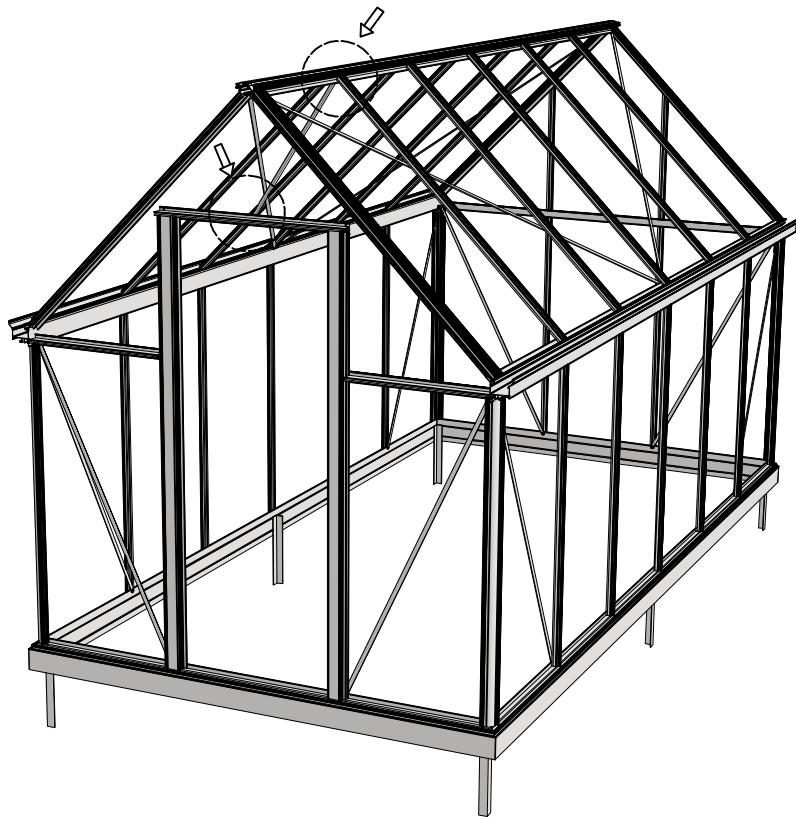
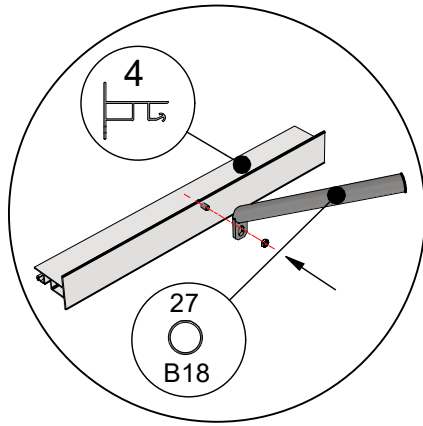
 = M6x12



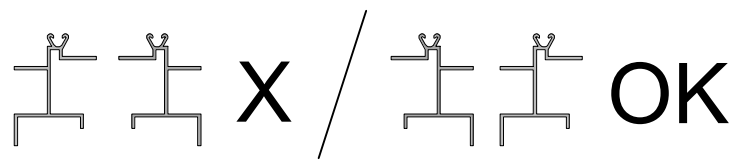
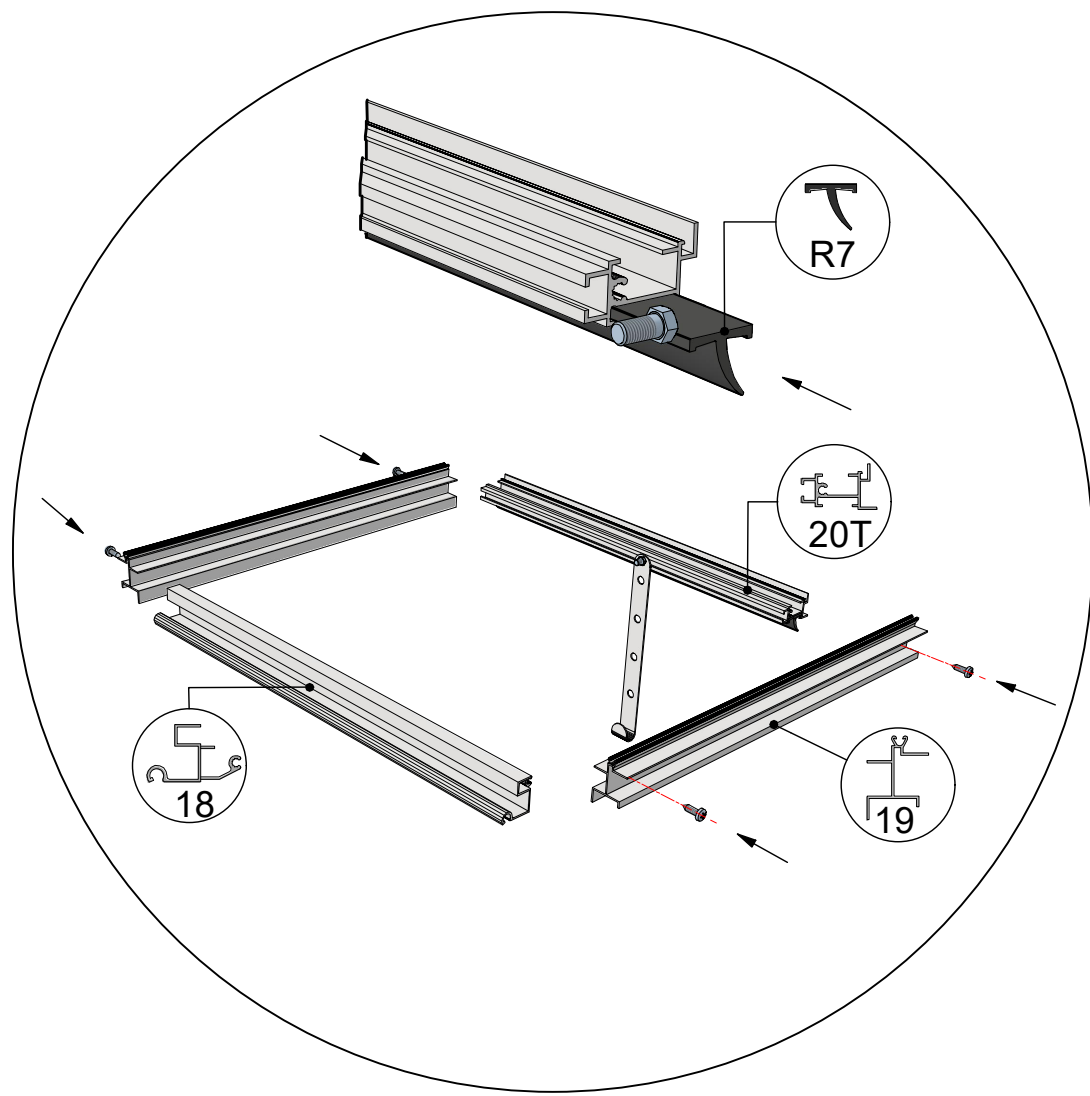
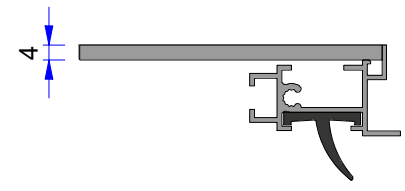
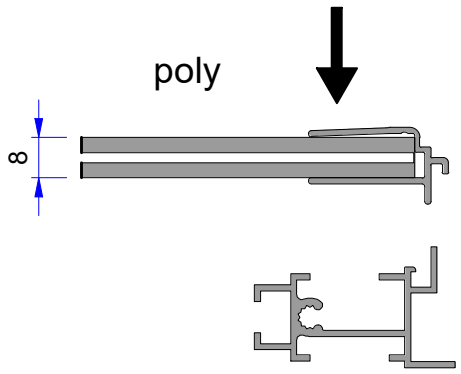
 = M6x12

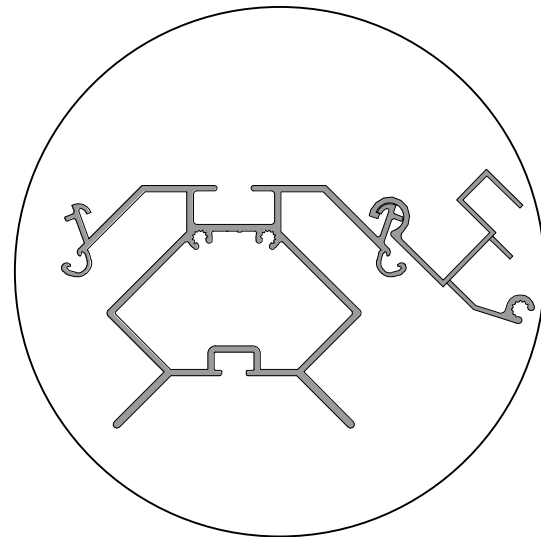
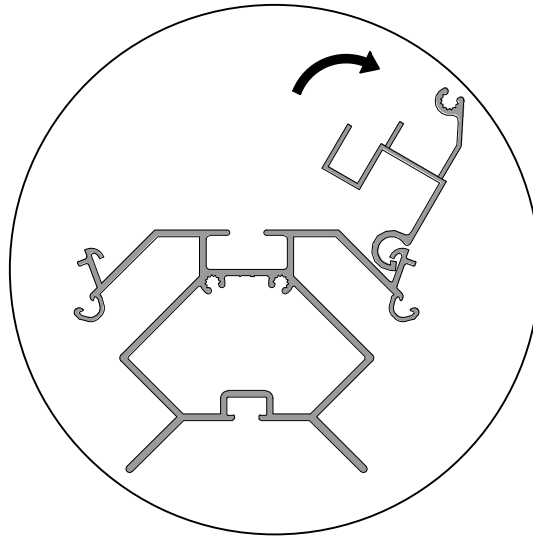
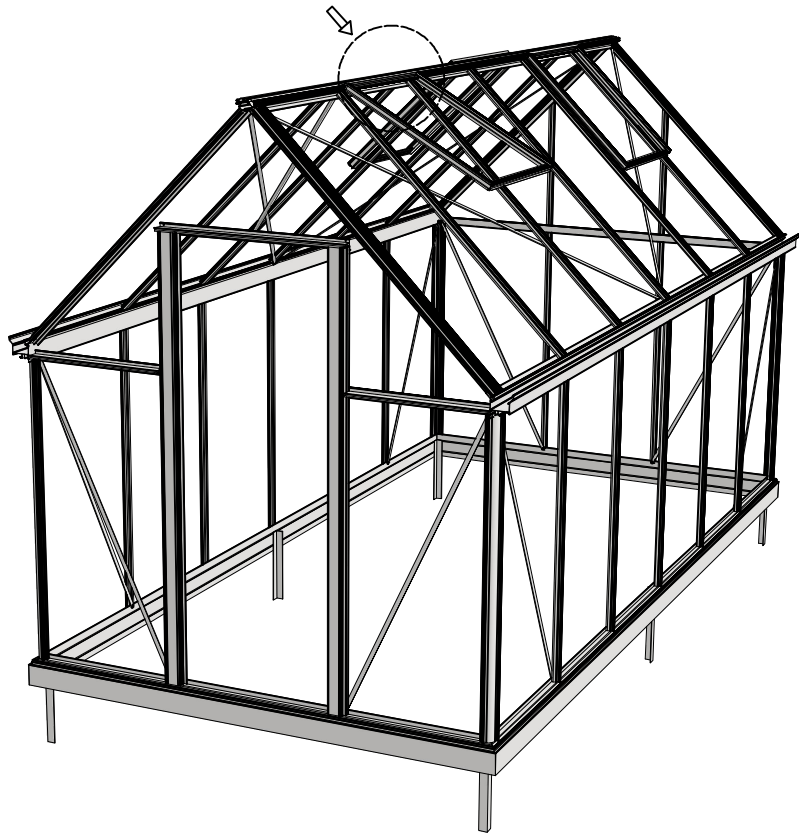


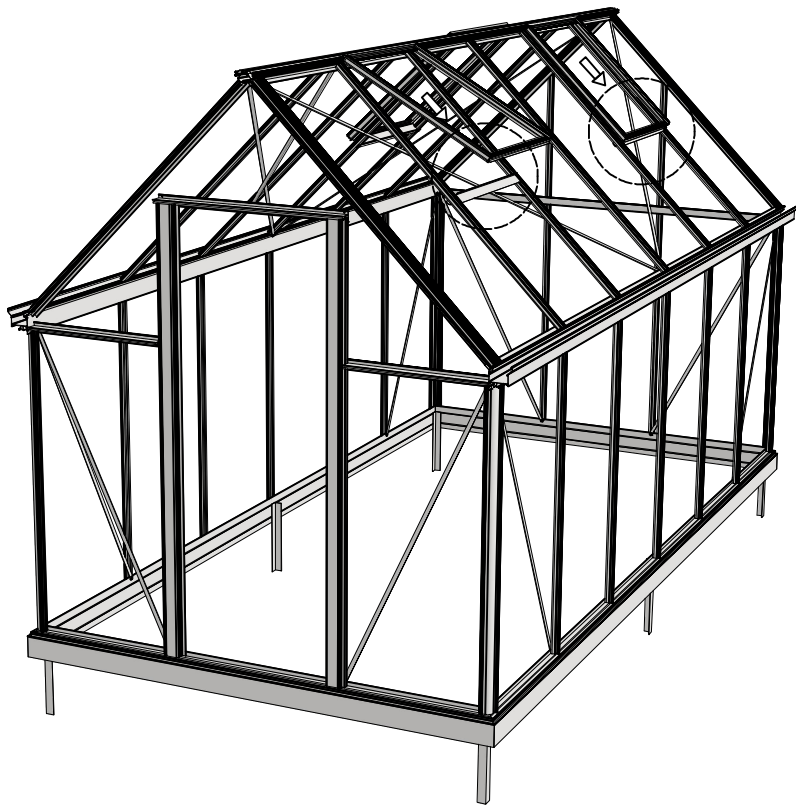
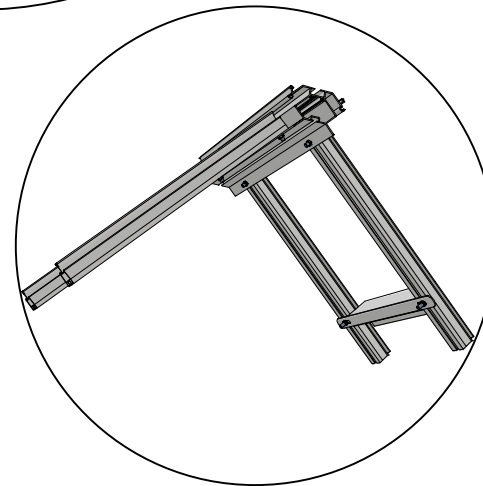
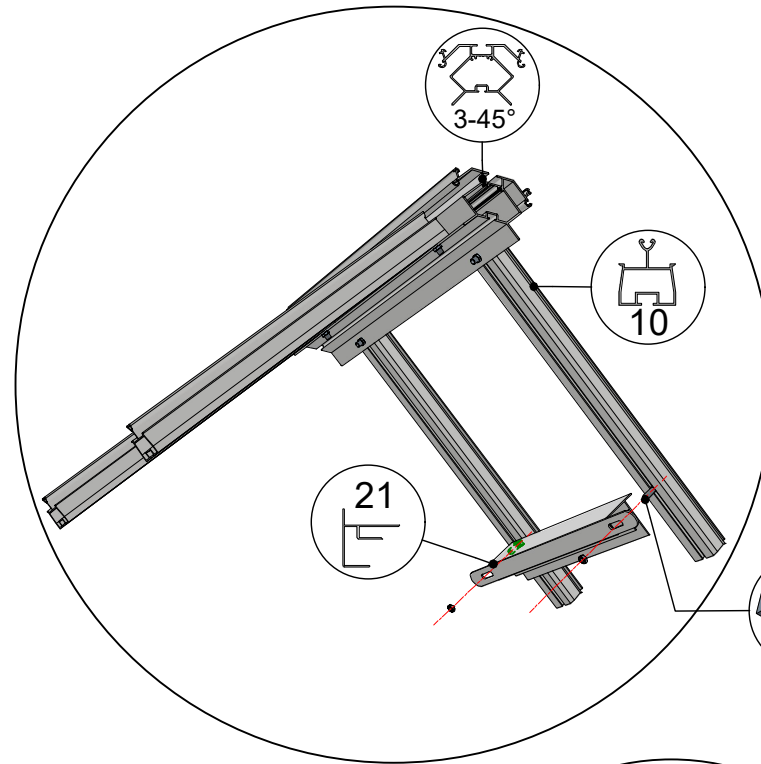
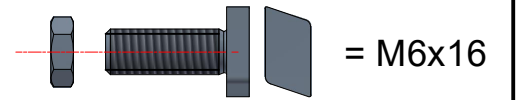
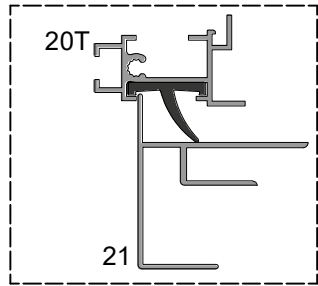
 = M6x12




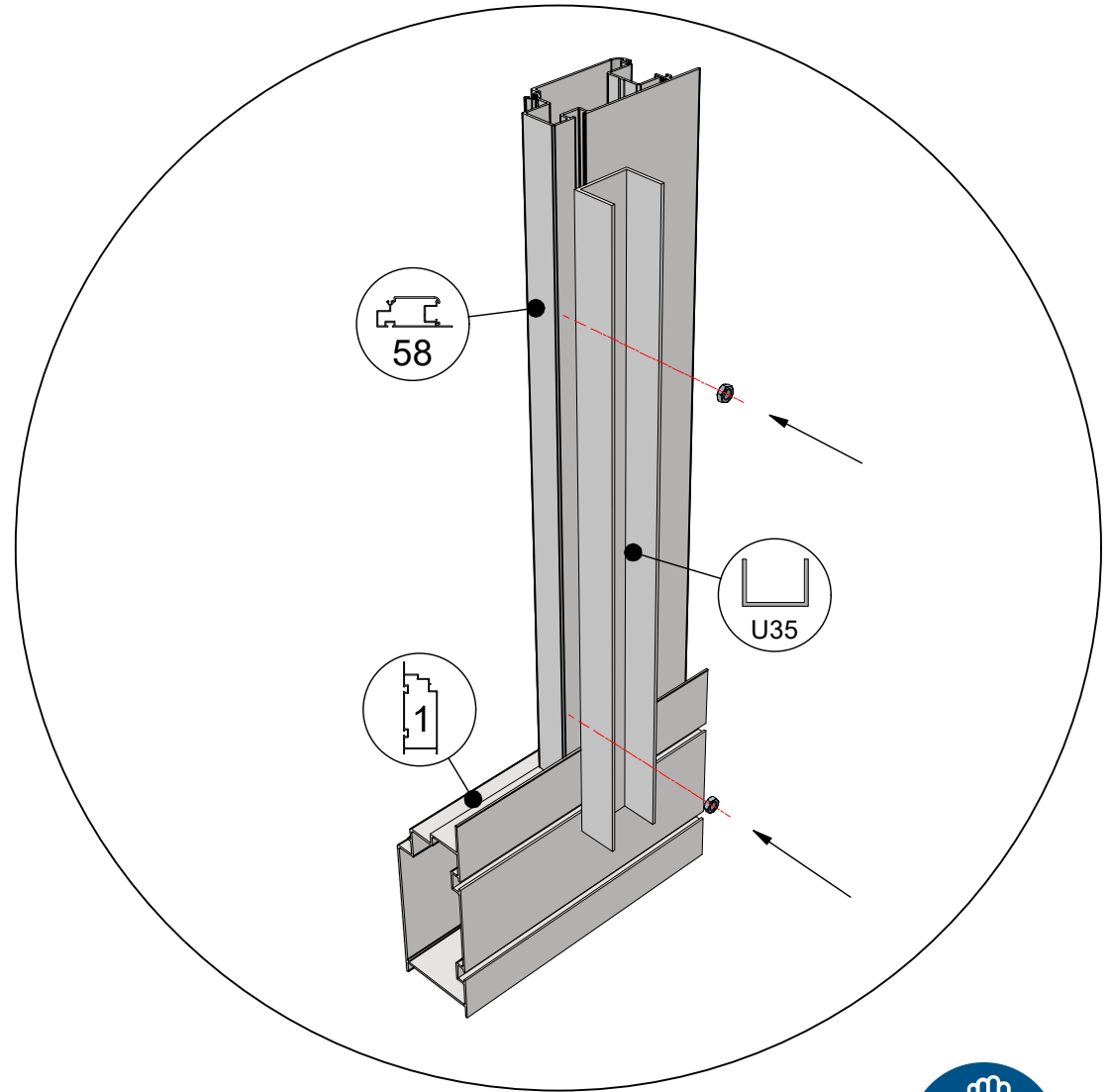
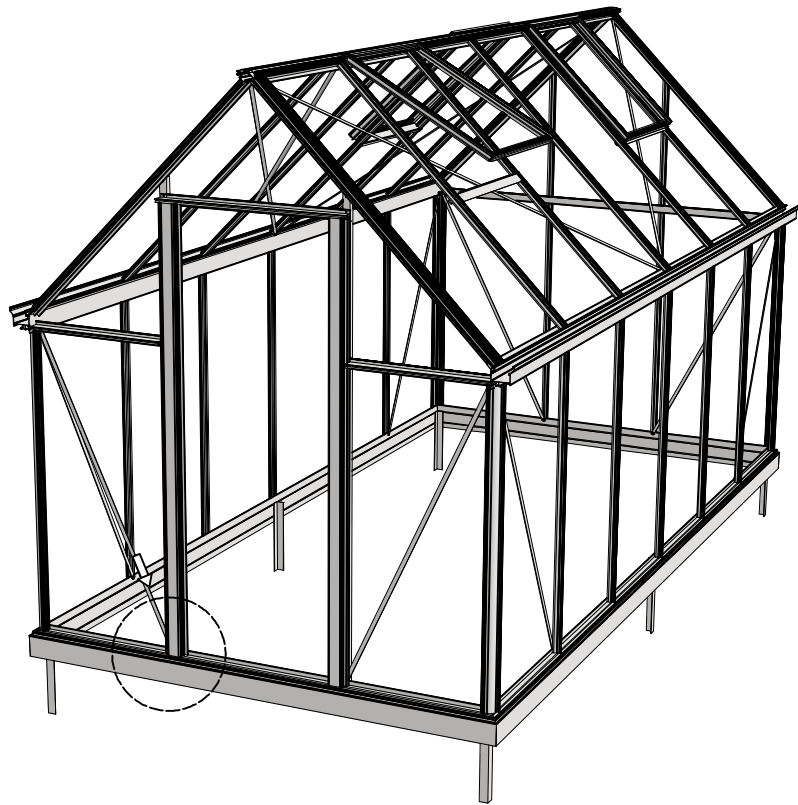
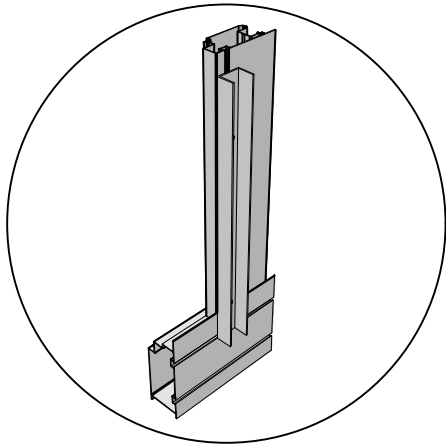
 = 4,8x16 (4x)




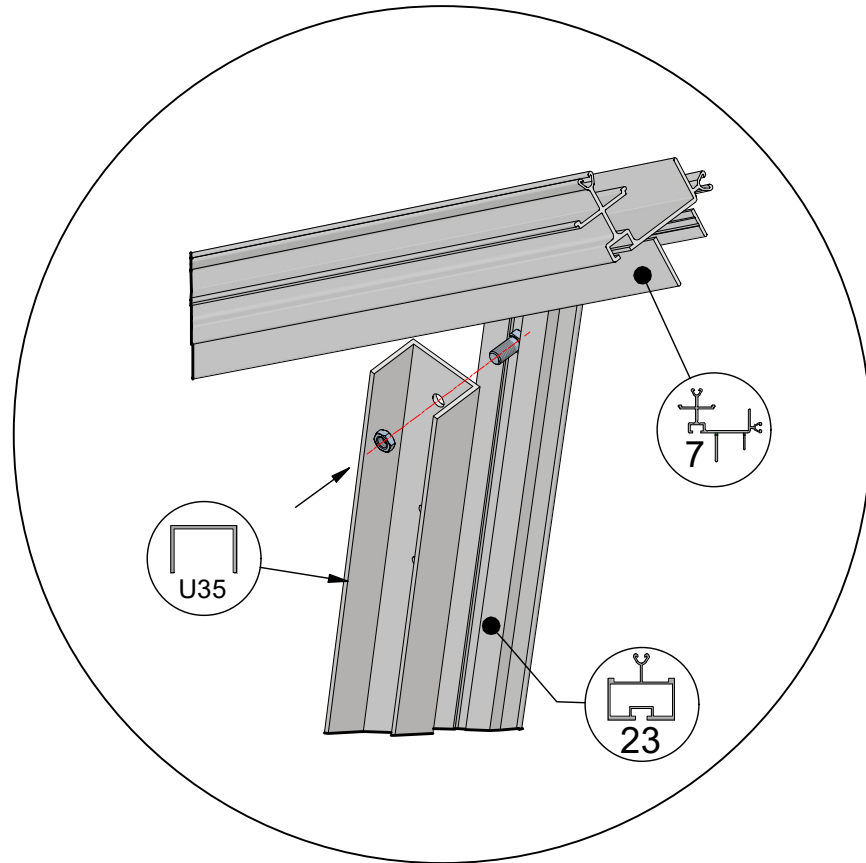
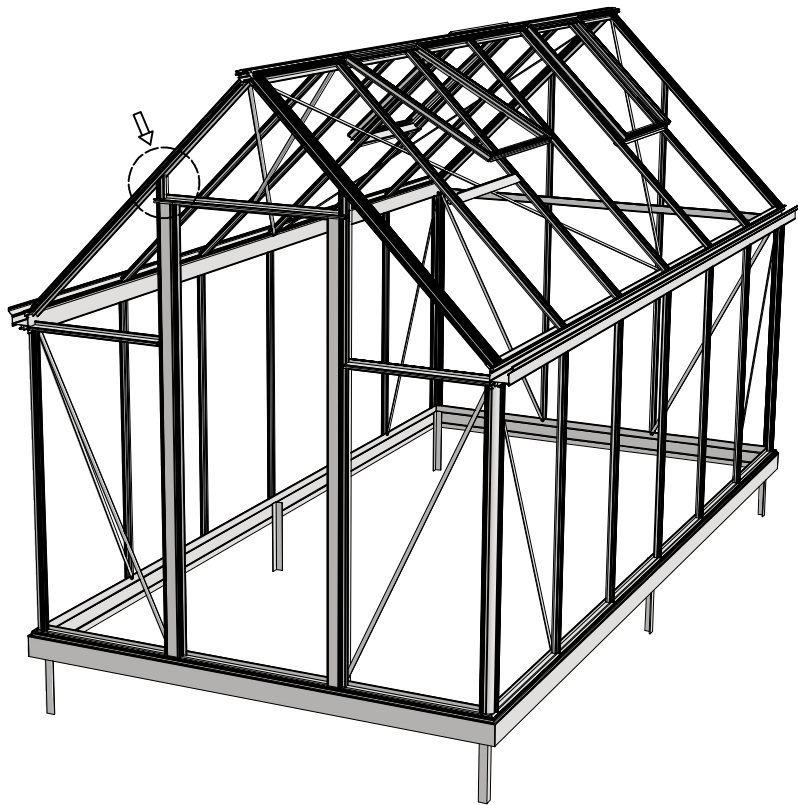





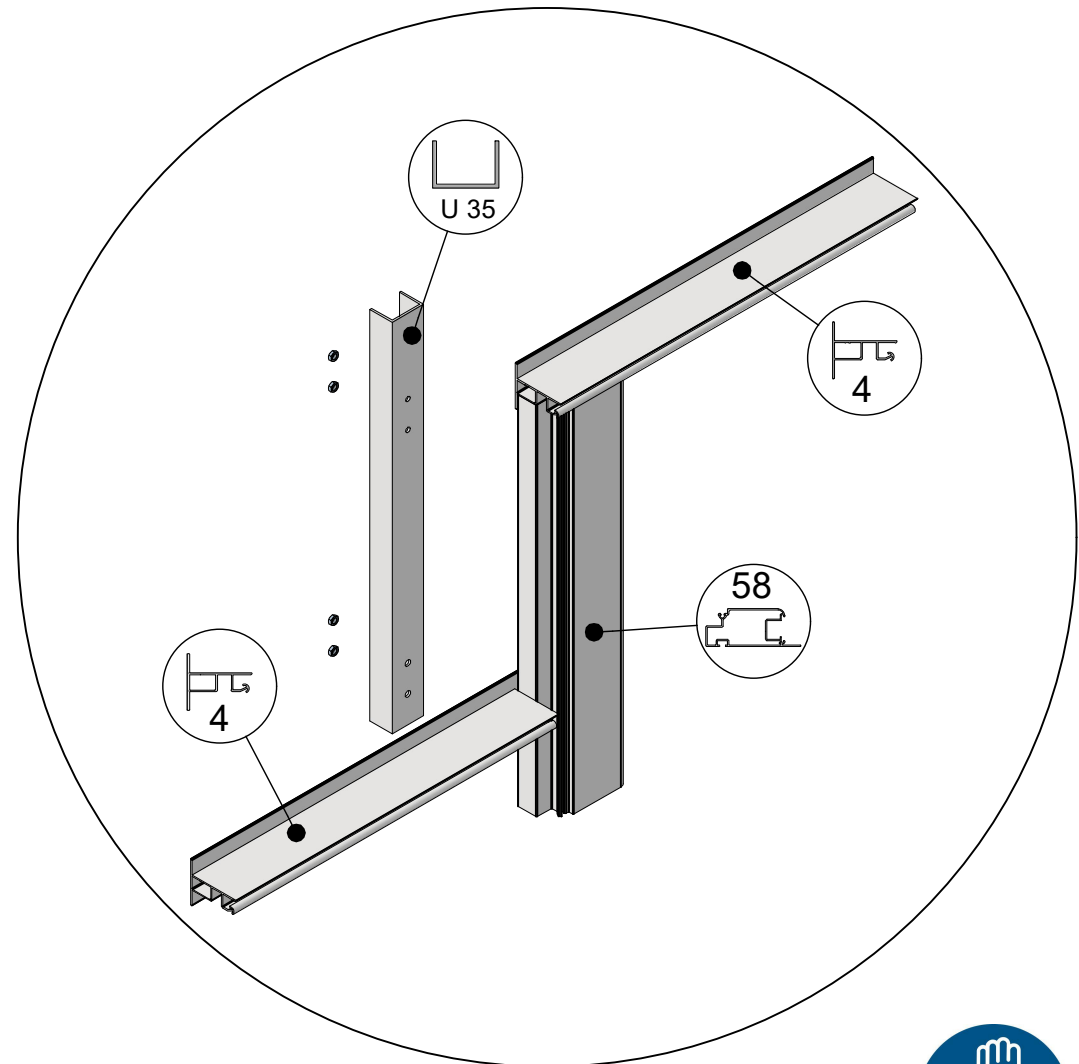
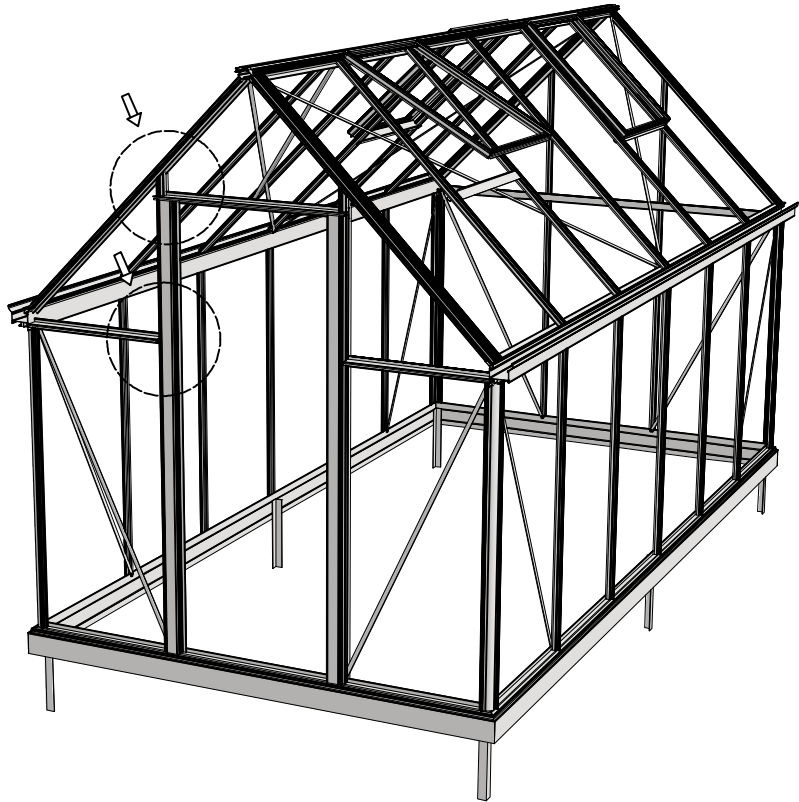
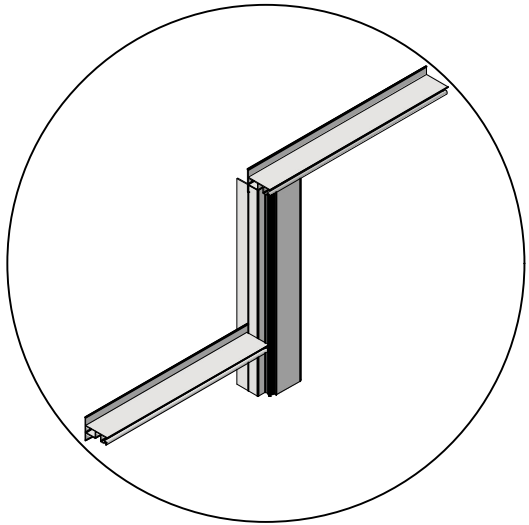
 = M6x12

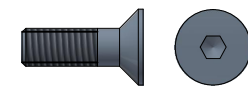


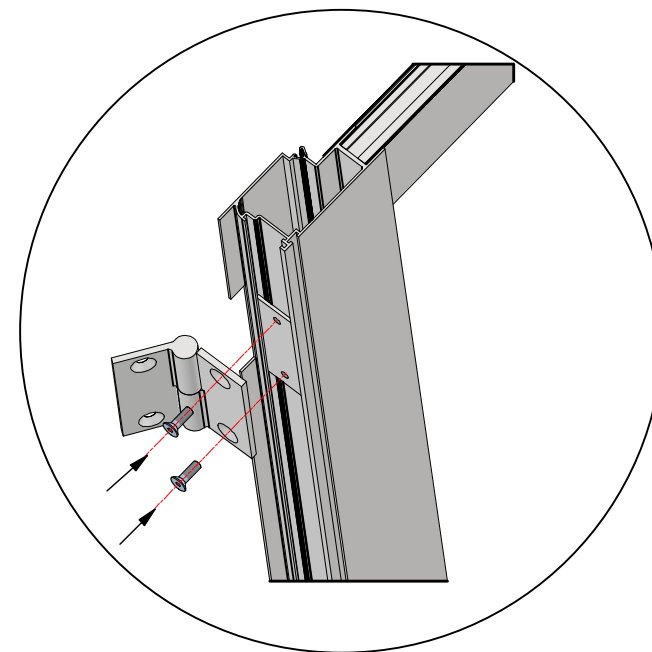
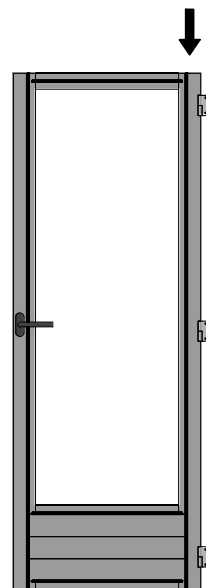
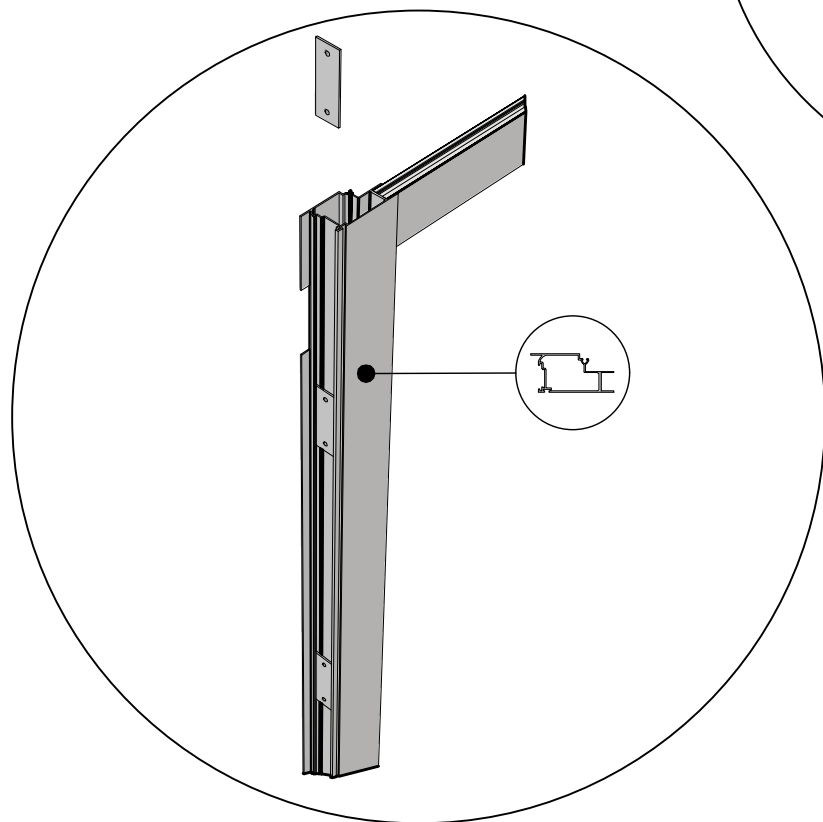
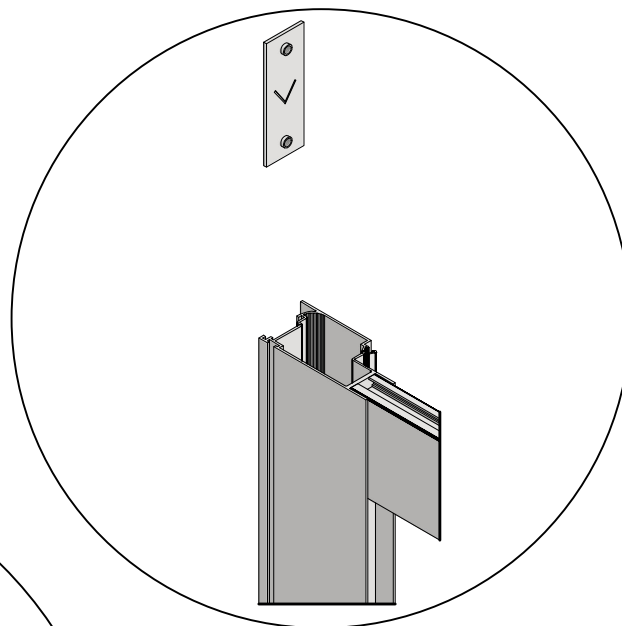
 = M6x12

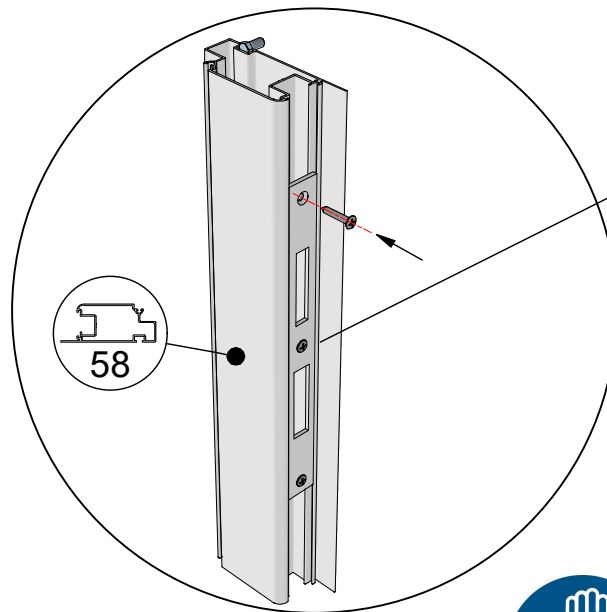
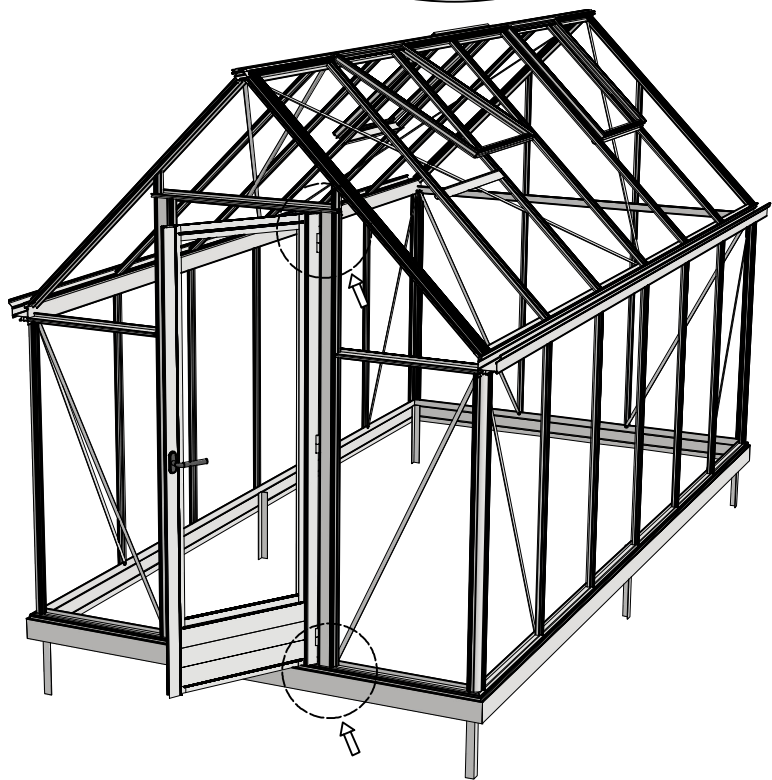
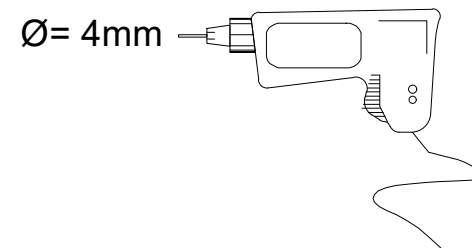
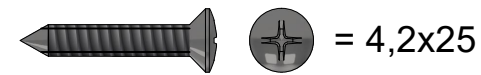
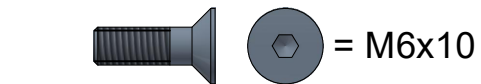
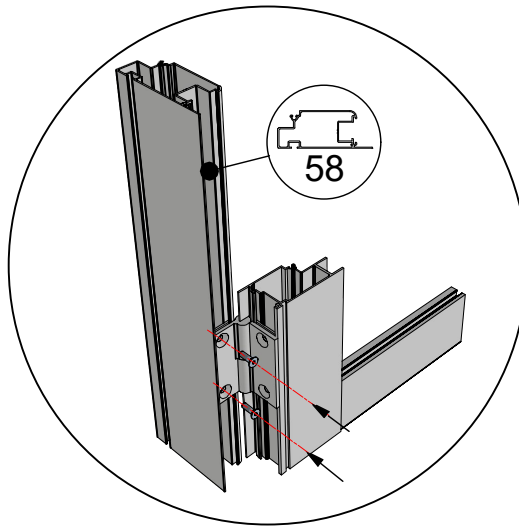
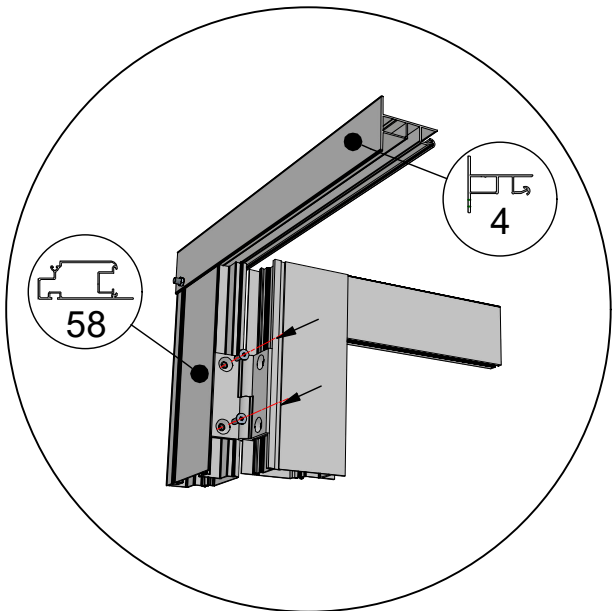


 = M6x12

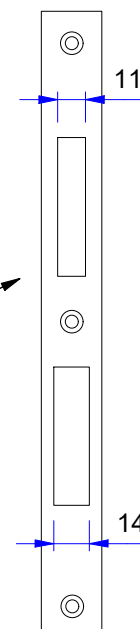


 = M6x10



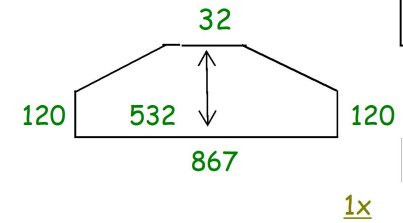
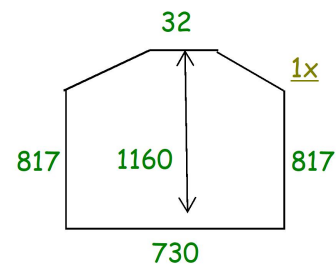
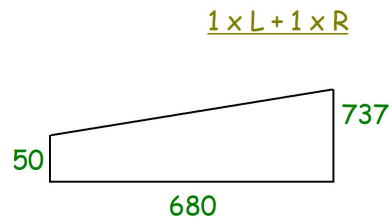
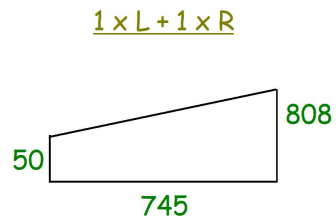


top



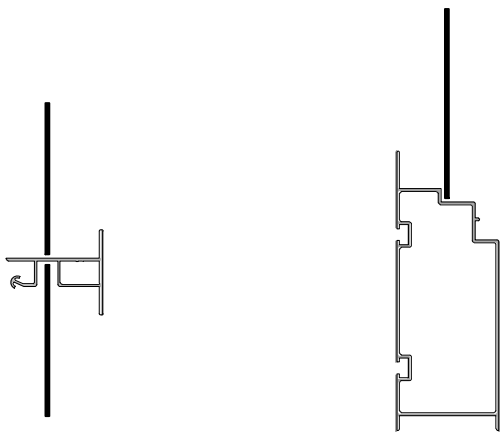
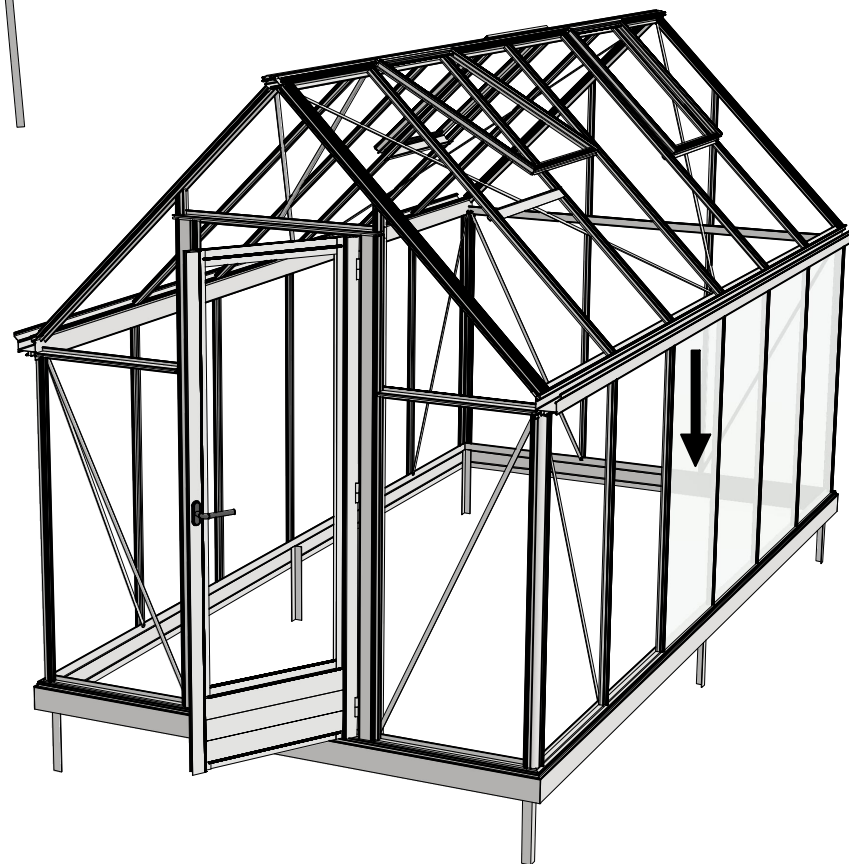
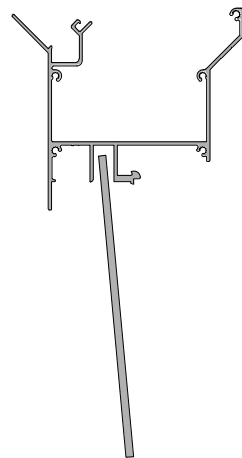
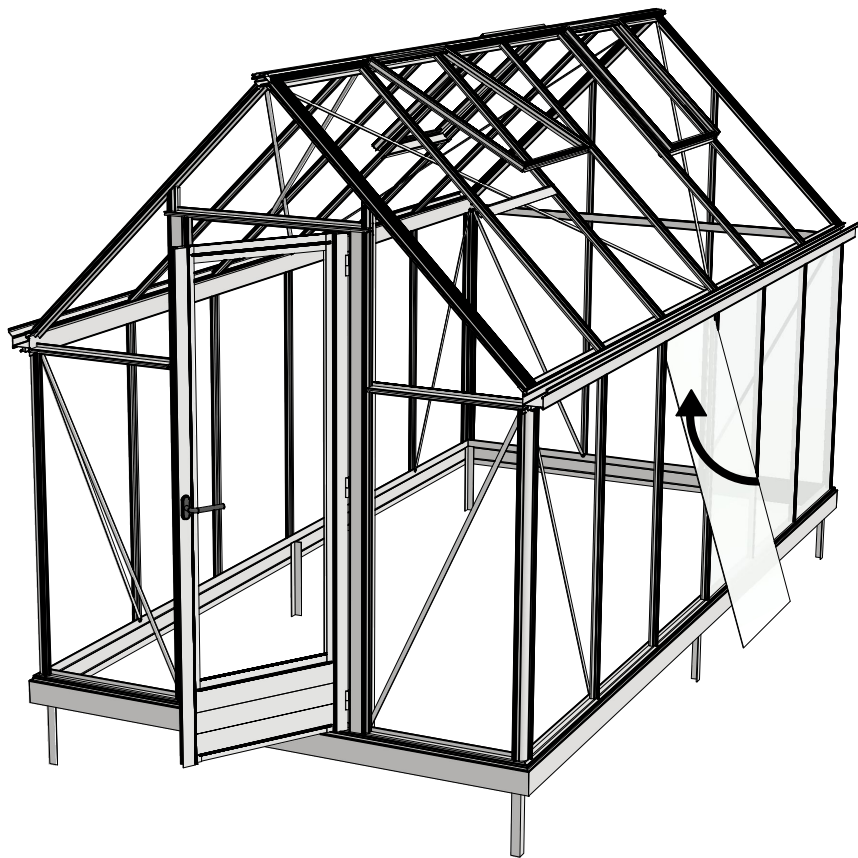
Glass Dimensions Nv Euro-serre		Euro-Rustic			2,36m			GlassH: 1450				
Glass Size 730mm		Sides		Single		Roof	Size Lenght x Wide		Poly			
		1450 x 730	1450 x 660	1615 x 620		1590 x 730	763 x 730	825 x 730	1590 x 730	763 x 730	m ²	m ²
Euro-Rustic	2,36m x 2,36m	9	2	1		4	2	2 or 2	4	2	12,4	7,0
Euro-Rustic	2,36m x 3,09m	11	2	1		6	2	2 or 2	6	2	14,6	9,3
Euro-Rustic	2,36m x 3,80m	13	2	1		8	2	2 or 2	8	2	16,7	11,6
Euro-Rustic	2,36m x 4,57m	15	2	1		9	3	3 or 3	9	3	18,8	13,9
Euro-Rustic	2,36m x 5,30m	17	2	1		11	3	3 or 3	11	3	20,9	16,2
Euro-Rustic	2,36m x 6,04m	19	2	1		12	4	4 or 4	12	4	23,0	18,6
											0,0	
											0,0	
											0,0	

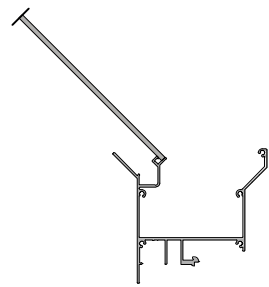
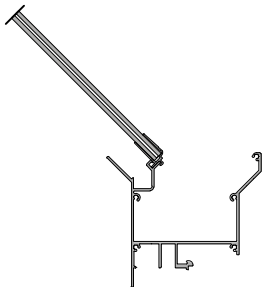
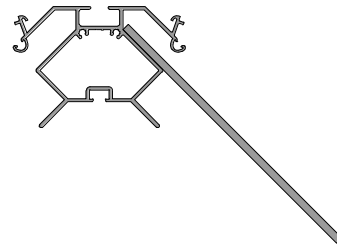
Points



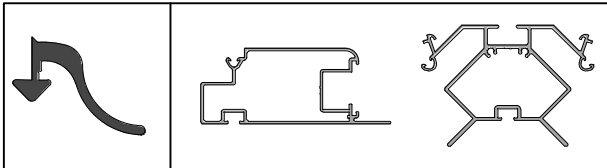
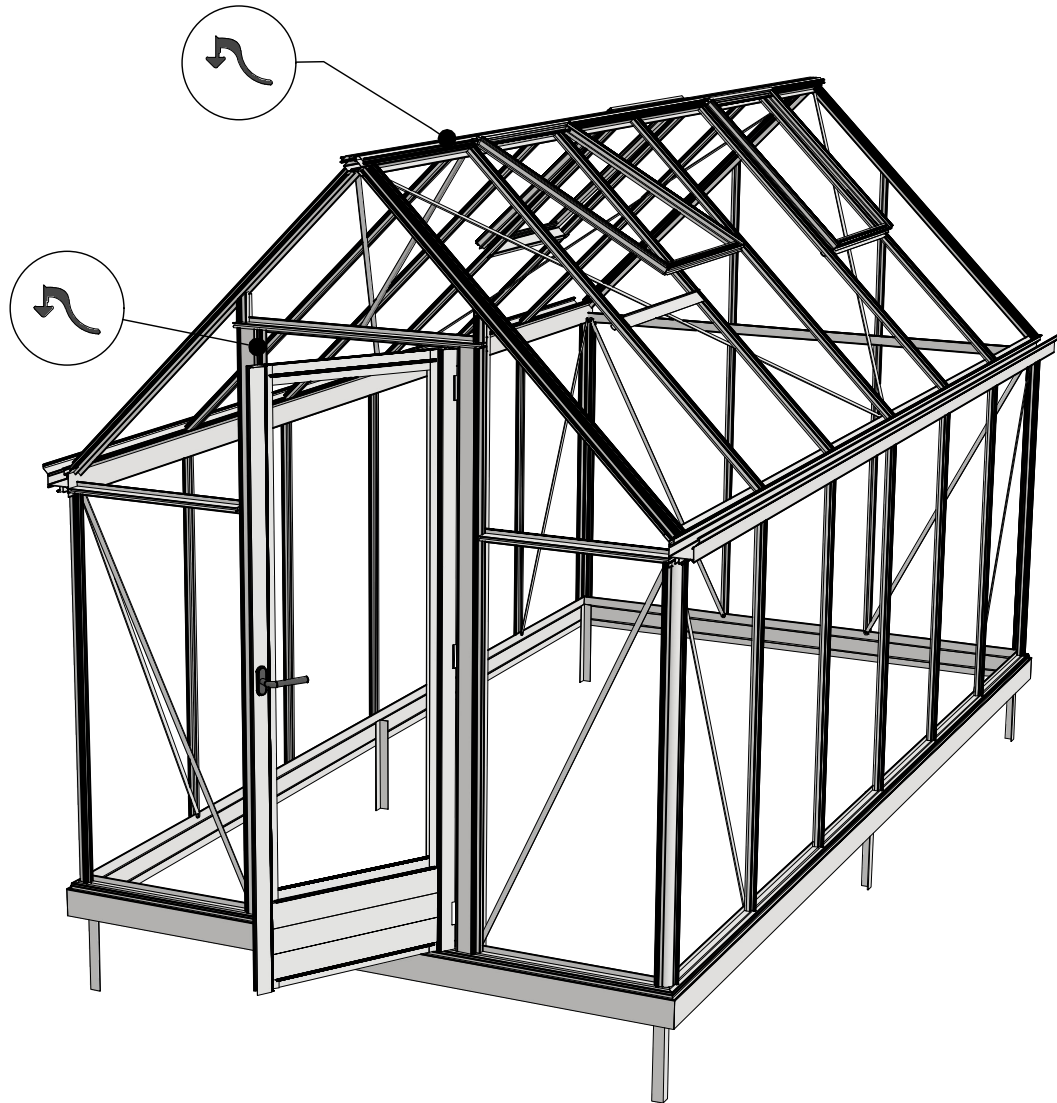
3,51 m²

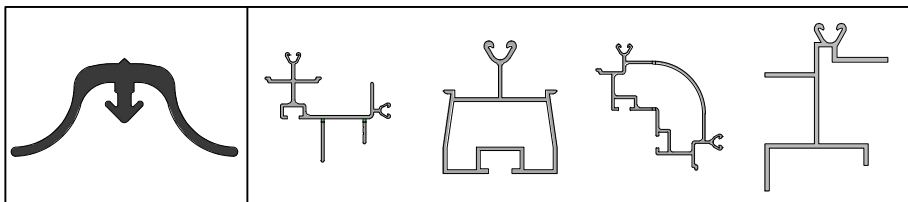
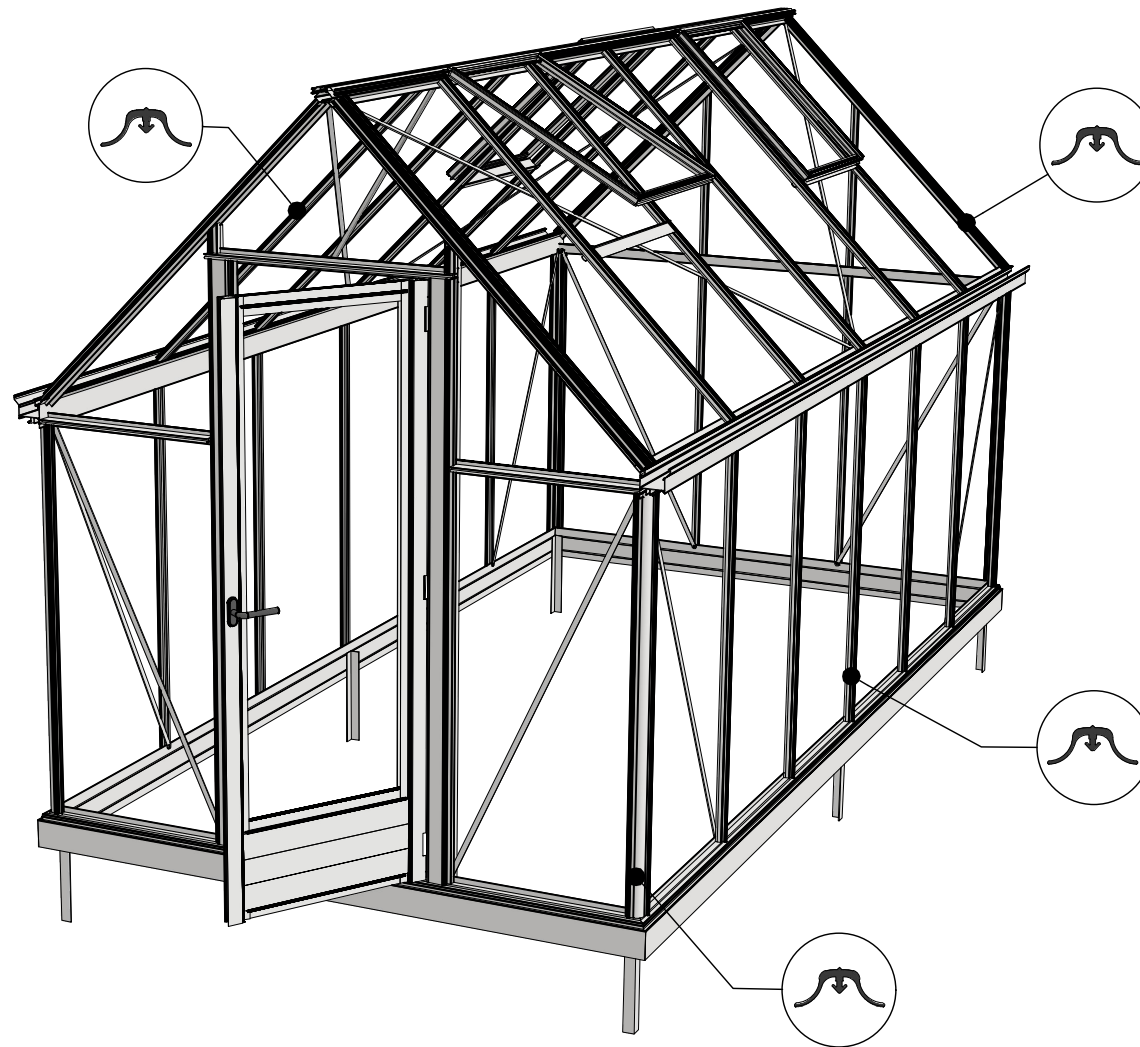
Opgemaakt op 29-06-2022



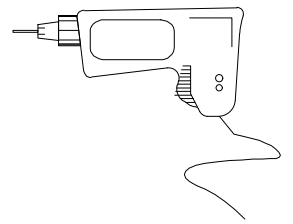


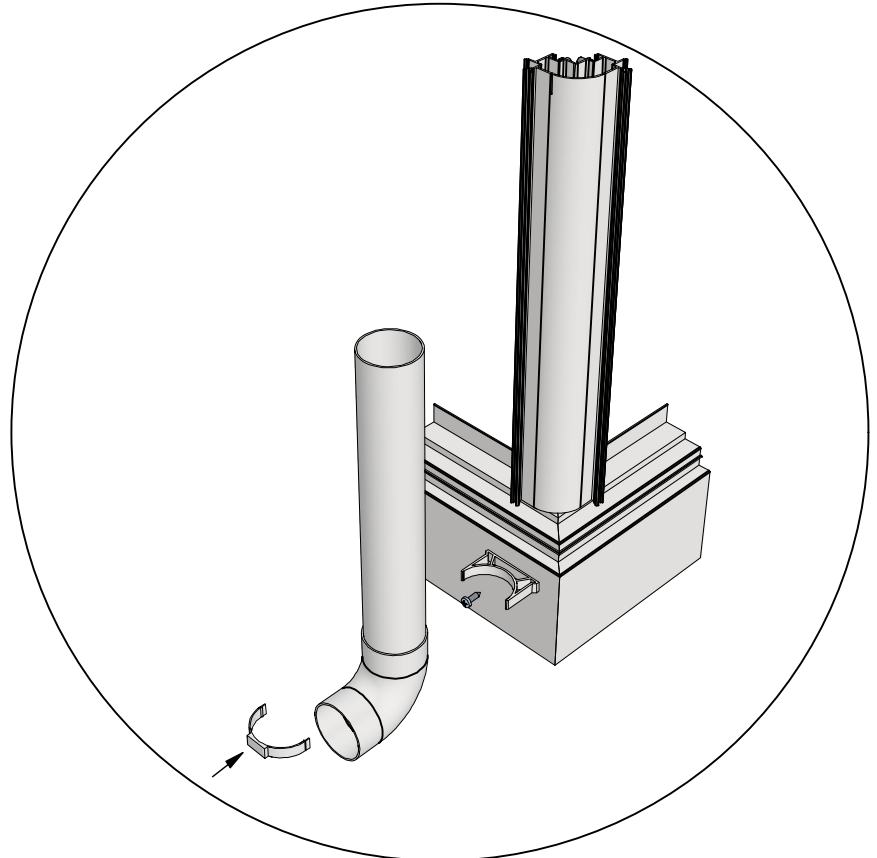
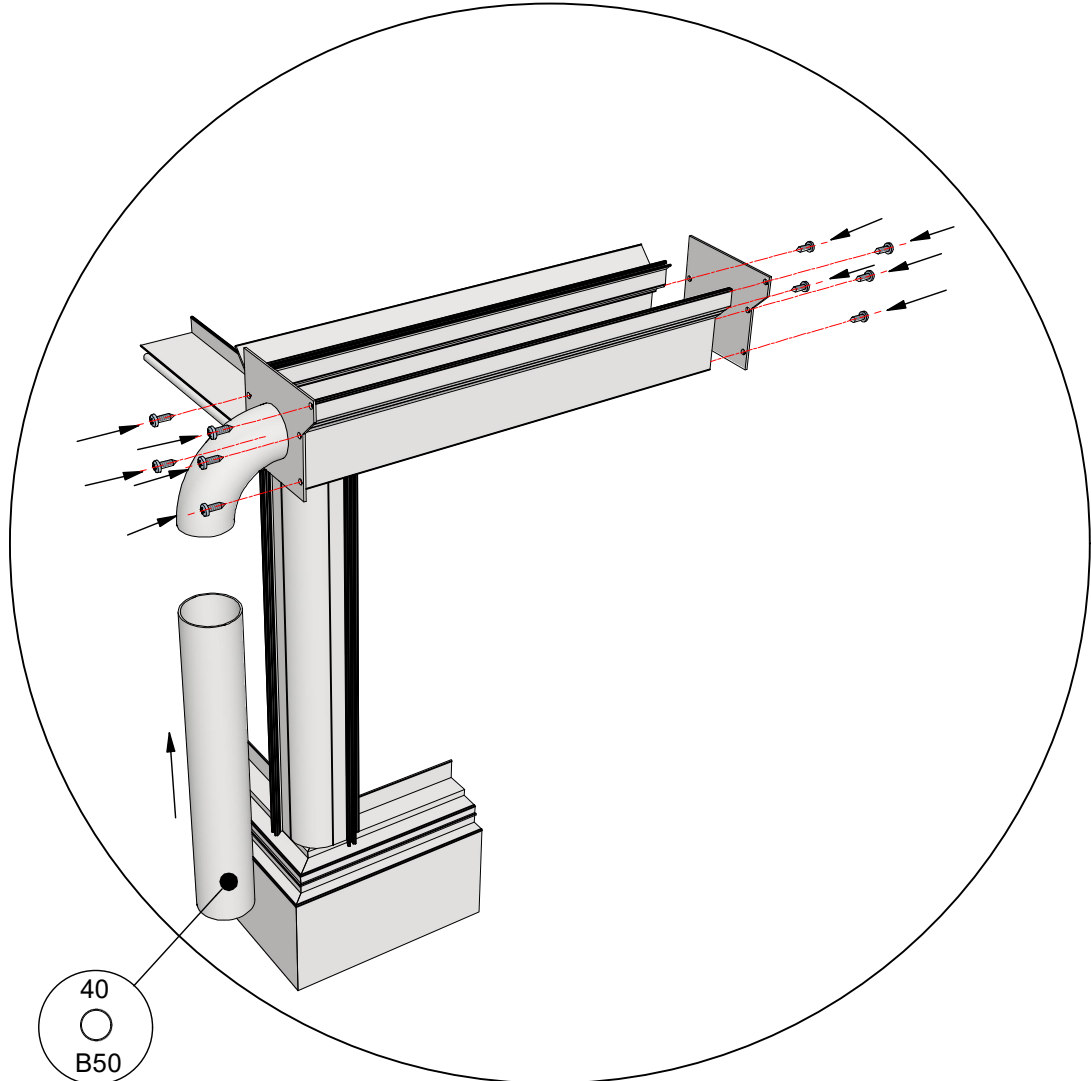




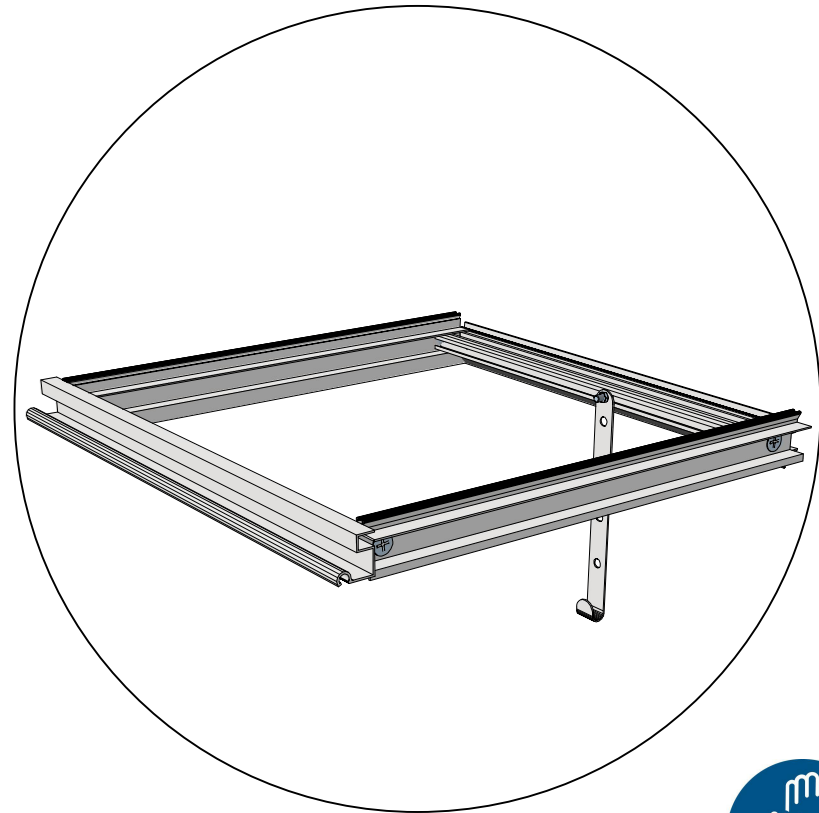
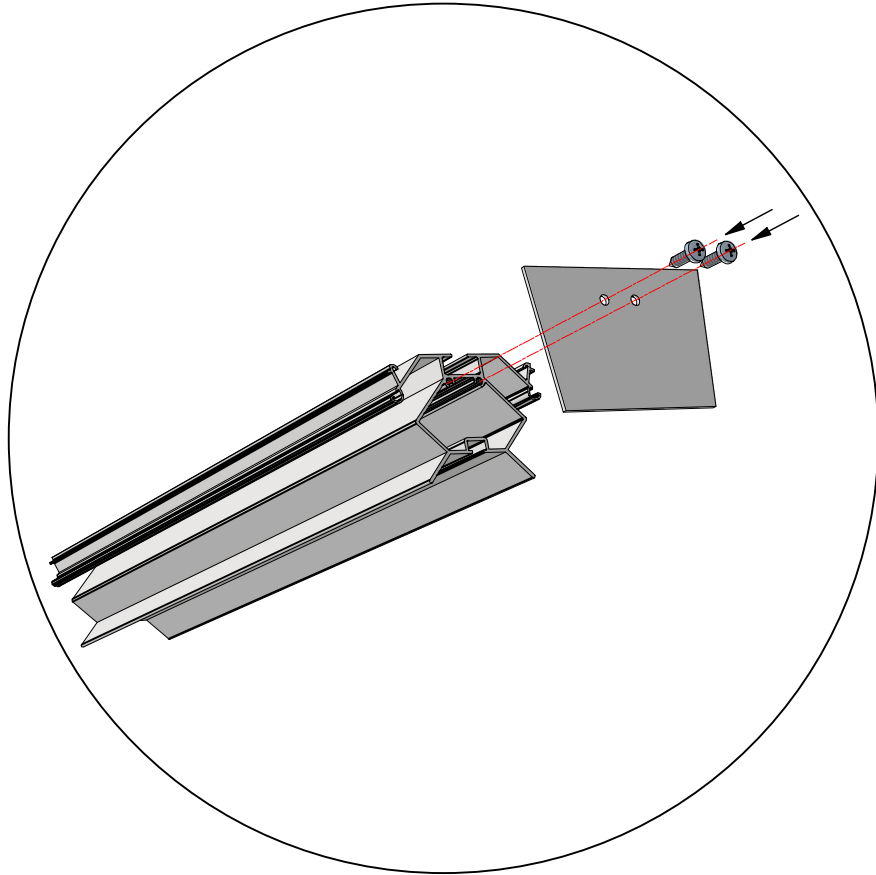


 = 4,8x16

$\varnothing = 4\text{mm}$ 



  = 4,8x16





Geleenlaan 1 - 3600 Genk

ref: Rustiq-001 Rev. 05.10.2023

OCBS - 1148-CPR-20231003-989 C E

EN 1090-1 EXC 1

Euro-Rustiq

www.euroserre.com/cecertificaten